

# WELCOME TO YOUR NEW FRANKE RANGEHOOD

You're about to begin a very happy and delicious  
relationship. Let's get started.

This is no ordinary rangehood.



**FBI537XSAU - 52CM UNDERMOUNT RANGEHOOD**  
**FBI737XSAU - 70CM UNDERMOUNT RANGEHOOD**

MAKE IT WONDERFUL

**FRANKE**



### **AN IMPORTANT NOTE**

Please read this document and the safety information carefully before you first use your rangehood.

### **SUPPORT**

Speak to our customer service representatives.  
Australia: 03 9700 9100 | [info@prks.com.au](mailto:info@prks.com.au)  
New Zealand: 09 964 0400 | [info@prks.co.nz](mailto:info@prks.co.nz)

### **WARRANTY**

Your Franke product is protected by a 2-year warranty. Should you ever need to make a warranty enquiry, simply contact our service department.

Australia: 03 9700 9100 | [service@prks.com.au](mailto:service@prks.com.au)  
New Zealand: 09 964 0400 | [service@prks.co.nz](mailto:service@prks.co.nz)

### **GET SOCIAL**

Keep up to date on all things Franke by following us on Facebook and Instagram.

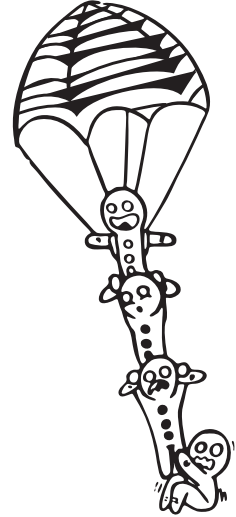
**@FrankeAUS**  
**#makeitwonderful**

"LET'S LET EVERYONE ELSE BE ORDINARY,  
WHILE WE MAKE IT WONDERFUL"

# CONTENTS

## Chapter 1: Ready, set up, go

- 5 Rangehood functions
- 6 Warnings and safety
- 6 Use
- 7 Installation instructions
- 11 Surrounding area information
- 11 Intended function
- 11 Environmental information
- 11 Disposal



## Chapter 2: Life with your Franke Rangehood

- 13 Operating your rangehood
- 13 Maintenance information
- 13 Cooking information
- 13 Changing the filters

## Chapter 3: Getting the most out of your Franke Rangehood

- 15 Cleaning and care
- 15 Filter alarms
- 15 Interior lighting
- 15 Metal grease filters

## Chapter 4: Last, but not least

- 17 Warnings, hazards, risks and legal

## Looking for something?

- 18 Glossary

## CHAPTER 1



READY, SET UP, GO

Your Franke rangehood is designed to be set up quickly and easily - so you can start creating delicious masterpieces even sooner.

# RANGEHOOD FUNCTIONS



## Lamp Toggle On/Off

Used to switch the lights on the rangehood on or off.



## Motor On/Off

Used to turn the motor on or off. The default “on” setting is motor speed 1. Pressing this button again will turn the rangehood off.



## Motor Speed 2

Press and hold the button for approximately 3 seconds, with all the loads turned off (Motor and Lights), to turn the Activated Charcoal Filter alarm on. The relevant LED flashes twice to confirm.

To turn the alarm off, press the button again and hold for at least 3 seconds. The relevant LED flashes once.



## Motor Speed 3

Used to select motor speed 3. Press and hold for 3 seconds to reset the grease filter clean alarm.



## Intensive Motor Speed

Used to select the strongest, most intense motor speed for superior extraction. This speed will only run for 6 minutes, and after 6 minutes it will return to the last set motor speed. If it is activated with the motor turned off, the hood will switch to OFF at the end of the time.



## LED Indicator

Signals the Metal Grease Filter saturation alarm, indicating that it is necessary to clean the filters. The alarm is triggered after the Hood has been in operation for 100 working hours.

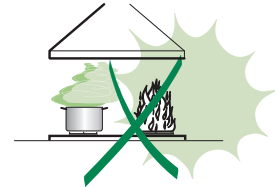


## WARNINGS & SAFETY

- The appliance will become hot during use and directly after use.
- If any parts become damaged, they must be replaced by the manufacturer only, including the power supply cord.
- Do not use abrasive cleaners or sharp metal scrapers during cleaning.

## USE

- The extractor hood has been designed exclusively for domestic use to eliminate kitchen smells.
- Never use the hood for purposes other than for which it has been designed.
- Never leave high naked flames under the hood when it is in operation.
- Adjust the flame intensity to direct it onto the bottom of the pan only, making sure that it does not engulf the sides.
- Deep fat fryers must be continuously monitored during use: overheated oil can burst into flames.
- Do not flambè under the range hood; risk of fire.
- Children shall not play with the appliance. Cleaning and user maintenance shall not be made by children without supervision.
- This appliance is not intended for use by persons (including children) with reduced physical, sensory or mental capabilities, or lack of experience and knowledge, unless they have been given supervision or instruction concerning use of the appliance by a person responsible for their safety.
- Children should be supervised to ensure that they do not play with the appliance.



## INSTALLATION INSTRUCTIONS

Check the appliance for damage after unpacking it, and don't connect the appliance if it has been damaged in transport.

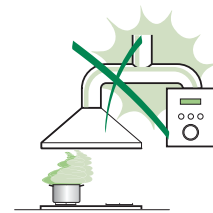
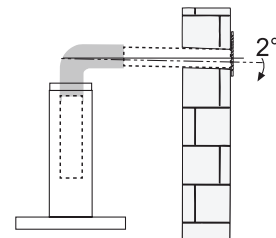
Only a licensed professional may connect the appliance - damage caused by incorrect installation is not covered under the warranty. Ensure that the panels of the cabinetry around the rangehood are heat resistant, and the glues and materials can withstand temperatures of at least 70 degrees Celsius.

Before fitting the hood to the wall unit: Remove the filters, disconnect the wires, remove the frame by undoing the 4 screws on the outer edge.

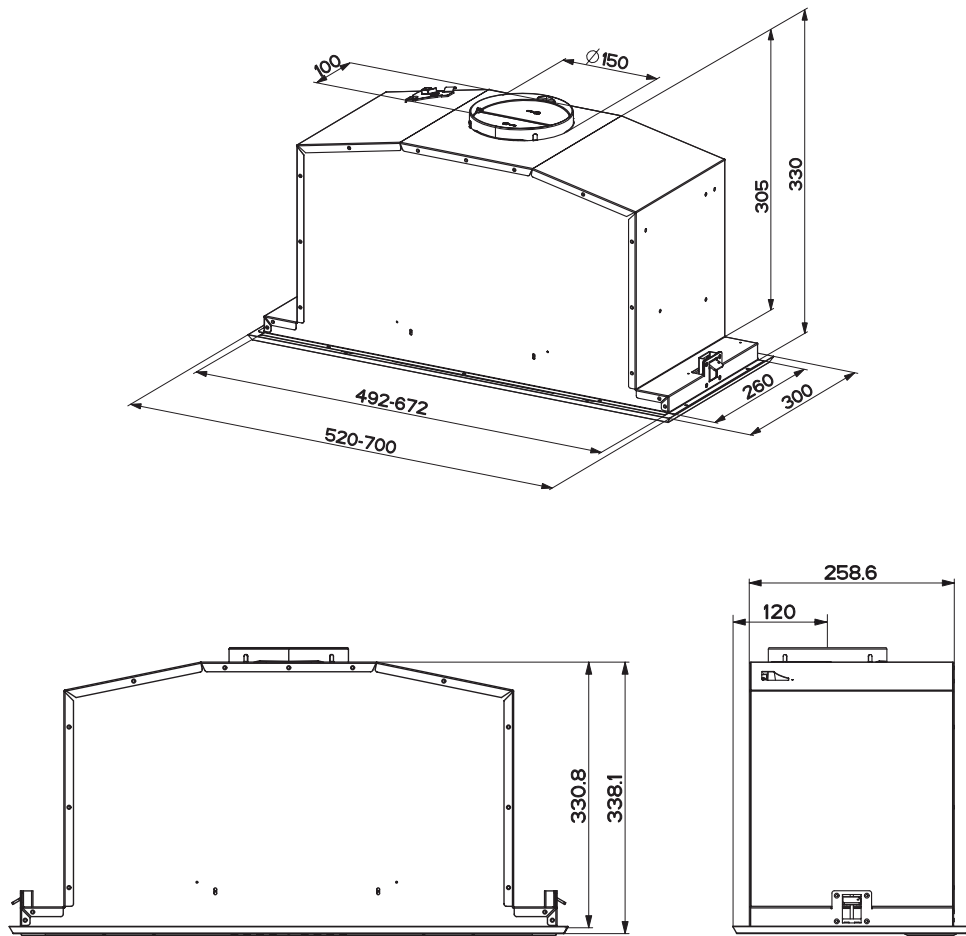
The minimum safe distance between the cooktop and the extractor rangehood is 650mm.

Connect the extractor to the exhaust flume through a pipe with minimum diameter of 120mm. Do not connect the extractor hood to exhaust ducts carrying combustible fumes.

- The manufacturer will not be held liable for any damages resulting from incorrect or improper installation.
- The minimum safety distance between the cooker top and the extractor hood is 650 mm (some models can be installed at a lower height, please refer to the paragraphs on working dimensions and installation).
- Check that the mains voltage corresponds to that indicated on the rating plate fixed to the inside of the hood.
- For Class I appliances, check that the domestic power supply guarantees adequate earthing. Connect the extractor to the exhaust flue through a pipe of minimum diameter 120 mm. The route of the flue must be as short as possible.
- Do not connect the extractor hood to exhaust ducts carrying combustion fumes (boilers, fireplaces, etc.).
- Regulations concerning the discharge of air have to be fulfilled.
- If the extractor is used in conjunction with non-electrical appliances (e.g. gas burning appliances), a sufficient degree of aeration must be guaranteed in the room in order to prevent the backflow of exhaust gas. The kitchen must have an opening communicating directly with the open air in order to guarantee the entry of clean air. When the cooker hood is used in conjunction with appliances supplied with energy other than electric, the negative pressure in the room must not exceed 0,04 mbar to prevent fumes being drawn back into the room by the cooker hood.
- The air must not be discharged into a flue that is used for exhausting fumes from appliances burning gas or other fuels (not applicable to appliances that only discharge the air back into the room).
- If the supply cord is damaged, it must be replaced by the manufacturer, its service agent or similarly qualified persons in order to avoid a hazard.
- If the instructions for installation for the gas hob specify a greater distance specified above, this has to be taken into account. Regulations concerning the discharge of air have to be fulfilled.
- Use only screws and small parts in support of the hood.  
**Warning:** Failure to install the screws or fixing device in accordance with these instructions may result in electrical hazards.
- Connect the hood to the mains through a two-pole switch having a contact gap of at least 3 mm.
- Allow disconnection of the appliance from the supply after installation. The disconnection may be achieved by having the plug accessible or by incorporating a switch in the fixed wiring in accordance with the wiring rules.



## CHARACTERISTICS

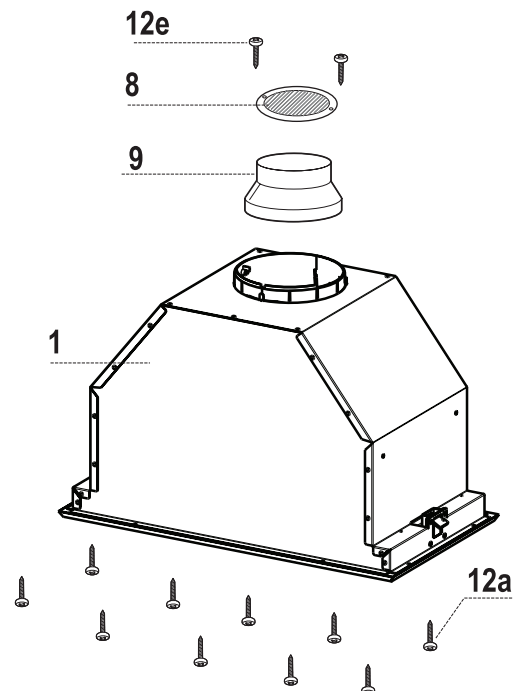


### COMPONENTS

Ref.	Qty.	Product Components
1	1	Hood Body, complete with: Controls, Light, Blower, Filters
8	1	Directioned grid
9	1	Reducer Flange $\varnothing 150-120\text{mm}$

Ref.	Qty.	Installation Components
12a	10	Screws
12e	2	Screws 2.9 x 9.5

Qty.	Documentation
1	Instruction Manual

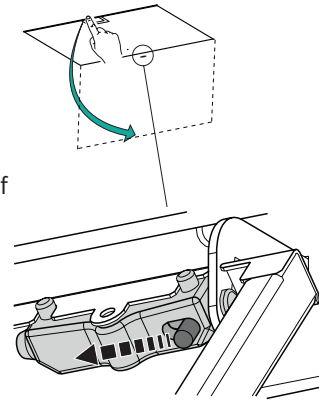
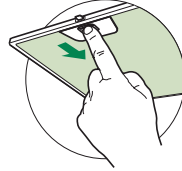




## FITTING THE HOOD CANOPY

Before fitting the hood to the wall unit, proceed as follows:

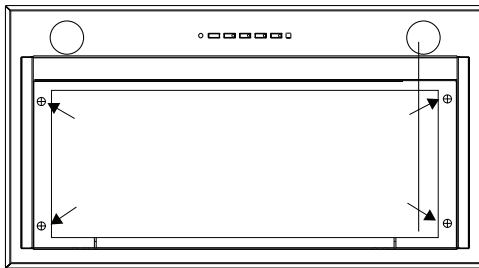
1. Open the Panel by pulling it.
2. Remove the filters one by one pushing them towards the back side of the hood unit and simultaneously pulling downwards.
3. Remove grease filters.



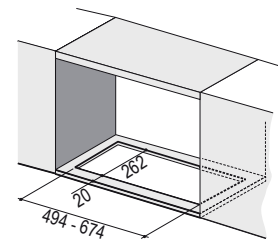
4. Disconnect the wires to the Commands at the connectors.
5. Disconnect the wires to the Light at the connectors.



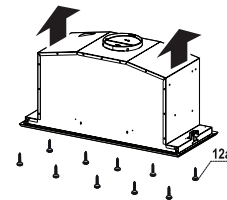
6. Remove the frame by unfastening the 4 screws (2 on the right and 2 on the left).



7. The Hood can be installed directly on the underside of the wall unit (Minimum 650 mm from the Cooker Hob).
8. Create an opening in the bottom of the wall unit, as shown.
9. Fasten using the 10 screws 12a provided.



10. Screw the Frame back into place using the 4 screws removed as described above, reconnect the wires to the Commands and Lights replace the metal grease filter and close the Panel.

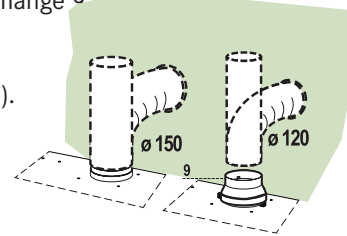


## CONNECTIONS

Ducted version air exhaust system:

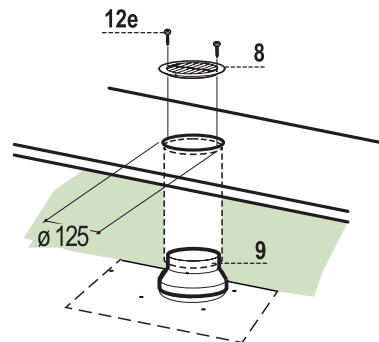
When installing the ducted version, connect the hood to the chimney using either a flexible or rigid pipe  $\varnothing$  150 or 120 mm, the choice of which is left to the installer.

- To install a  $\varnothing$  120 mm air exhaust connection, insert the reducer flange 9 on the hood body outlet.
- Fix the pipe in position using sufficient pipe clamps (not supplied).
- Remove possible charcoal filters.



## RECIRCULATION VERSION AIR OUTLET

- Cut a hole  $\varnothing$  125 mm in any shelf that may be positioned over the hood.
- Insert the reducer flange 9 on the hood body outlet.
- Connect the flange to the outlet on the shelf over the hood by using a flexible or rigid pipe  $\varnothing$  120 mm.
- Fix the pipe in position using sufficient pipe clamps (not supplied).
- Fix the air outlet grid 8 on the recirculation air outlet by using the 2 screws 12e (2,9 x 9,5) provided.
- Ensure that the activated charcoal filters have been inserted.



## ELECTRICAL CONNECTION

Connect the hood to the mains through a two-pole switch having a contact gap of at least 3mm.

## **SURROUNDING AREA INFO**

There must be sufficient air supply in the room in order to prevent backflow of exhaust gases. The kitchen must have adequate clean air ventilation. The negative pressure in the room must not exceed 0.04mbar to prevent fumes being drawn back into the room.

## **INTENDED FUNCTION**

This appliance has been designed solely for use in domestic kitchens to eliminate foul smells, or a build up of cooking exhaust (smoke from cooking for example). Never use the hood for purposes which it was not designed for.

## **ENVIRONMENTAL INFORMATION**

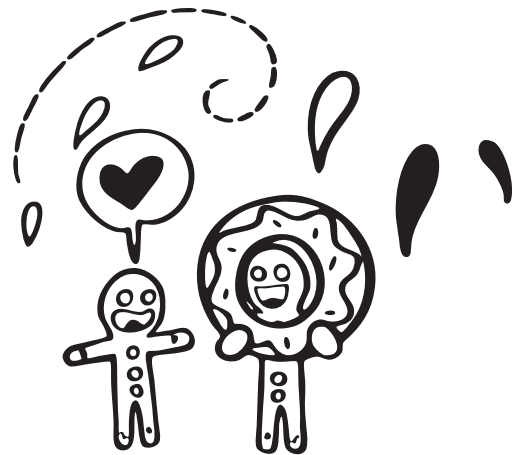
This Franke appliance is particularly energy efficient, however to make the most out of it, and to save even more energy make sure you adhere to the following steps:.

1. Only have the motor on setting 2 or 3, if setting 1 does not adequately vent the room.
2. Avoid leaving the light on for extended periods of time.

## **DISPOSAL**

Dispose of all packaging in an environmentally friendly manner. Franke practises environmentally conscious behaviour, and this appliance is labelled in accordance with the used electrical and electronic appliances waste guidelines.

If you have any questions on disposals, please call the Franke customer service team on 03 9700 9100.



## CHAPTER 2



# LIFE WITH YOUR FRANKE RANGEHOOD

We designed this rangehood with one thing in mind.  
How do we create a wonderfully simple user experience  
for **you**, our customer?

## OPERATING YOUR RANGEHOOD

To turn on the extractor motor function and choose your desired motor speed:

1. Press the desired motor speed setting (1,2 or 3). 1 will automatically be selected if you press the on/off button.
2. To turn off the rangehood, simply press the on/off button.
3. To operate the LED lamp, clicking the light button toggles the lamp on/off.

## MAINTENANCE INFORMATION

Before carrying out any maintenance of changing the filters, globes or cleaning the appliance, turn off or unplug the appliance from the mains to avoid electric shock.

## COOKING INFORMATION

Never leave high naked flames under the hood when it is in operation.

Adjust the flame intensity to direct it onto the bottom of the pan only, making sure that it does not engulf the sides.

Regulations concerning the discharge of air have to be fulfilled.

If the rangehood is used over a deep fryer, it must be continually monitored during use.

Do not spray oil directly onto an open flame or hot surface for risk of fire.

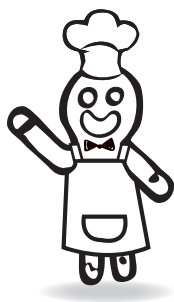
## CHANGING THE FILTERS

Change or replace the filters after the specific time period to avoid a clogging hazard.

To open the filter compartment, open the panel by pulling the opening lever.

Activated charcoal filters are not washable and can not be cleaned to be used again, and must be replaced every 4 months or more frequently during heavy use.

The grease filters must be cleaned every 2 months of operation or more frequently for heavy use. These can be placed in a dishwasher.



## CHAPTER 3



# GETTING THE MOST OUT OF YOUR FRANKE RANGEHOOD

Getting the most out of your Franke rangehood.  
Your Franke rangehood turns work into play, and  
inspires creativity every single day.

## CLEANING AND CARE

We want your Franke Appliance to be looking this good for a long time to come. To ensure that the various surfaces are not damaged through cleaning, please observe the following:

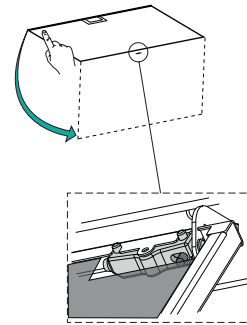
**Stainless steel:** Hot soapy water with a soft cloth

**Control panel:** Clean with a dish cloth and the dry with a soft cloth

**Filters:** A mix of hot soapy water and lemon juice. Wash with a dish cloth, and then allow to dry. Or place in the dishwasher.

**Opening panel:**

- Open the Panel by pulling it.
- Clean the outside with a damp cloth and neutral detergent.
- Clean the inside using a damp cloth and neutral detergent; do not use wet cloths or sponges, or jets of water; do not use abrasive substances.



**Warning: There is a risk of fire if cleaning is not carried out in accordance with the instructions.**

## FILTER ALARMS

Both the grease filter and the charcoal filter have advanced sensors which warn the user when the filter needs cleaning or replacing.

When the LED indicator starts to flash, it is a sign that the charcoal filters needs replacing.

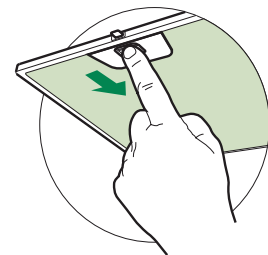
When the LED indicator lights up continually, it is a sign that the grease filter needs washing.

## INTERIOR LIGHTING

If the interior bulb or cover is defective for any reason or the light no longer operates, please call our service team for support.

## METAL GREASE FILTERS

These can be washed in the dishwasher, and need to be cleaned whenever the S1 Led comes on or at least once every 2 months use, or more frequently if use is particularly intensive.



## CLEANING THE FILTERS

### Resetting the alarm signal

- Turn the Lights and the Suction Motor off.
- Press T3 and hold for at least 3 seconds, until LED flashes three times in confirmation.

### Cleaning the filters

- Open the doors.
- Remove the Filter, pushing it towards the back of the unit and at the same time pulling downward.
- Wash the filter without bending it, and leave it to dry thoroughly before replacing (if the surface of the filter changes colour over time, this will have absolutely no effect on its efficiency).
- Replace, taking care to ensure that the handle faces forwards.
- Close the doors again.

## CHAPTER 4



# LAST BUT NOT LEAST

This section contains the warnings, precautions and legal notices to make sure everything runs smoothly.



## ELECTRIC SHOCK HAZARD

Never carry out an repairs yourself, always get an authorized technician to do any repairs or maintenance on your rangehood. If any electrical components become damaged or there is exposed wiring, there is a risk of electrical shock.

If the supply cord is damaged, it must be replaced by the manufacturer, its service agent or similarly qualified persons in order to avoid a hazard.

Ensure whenever the rangehood is in operation and you come into contact with it, that appropriate footwear is worn.

## HAZARDS

The following is a comprehensive list of all hazards and risks this product possesses.

### Risk of fire:

- Any combustible items left in or near the rangehood during operation

### Risk of burns:

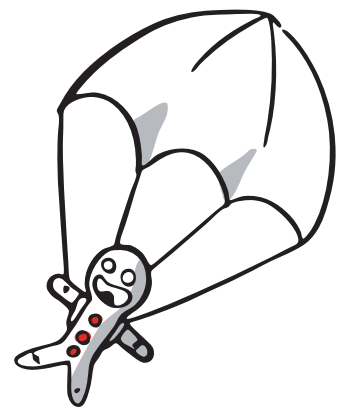
- The appliance becomes very hot. Never touch any surfaces or compartments which has been exposed to the heating elements.
- Accessories also become very hot. Use appropriate gloves.
- Alcoholic vapours may catch fire. Never use a high quantity of alcohol in a cooking recipe.

### Risk of electric shock:

- The insulation and coating of rangehood accessories may cause electric shock if they come into contact with electrical components.

### Risk of death or serious injury to human health:

- The cables and wiring harnesses at the rear of the rangehood must not be tampered with or come into contact with the hot appliance.
- If the appliance is not operating correctly, do not continue to operate it. Discuss your problem with our customer service team.



## GLOSSARY

**Abrasive** - a coarse and harsh substance capable of polishing or cleaning a surface by rubbing or grinding.

**Buzzer** - a device that makes a loud noise and is used to signal something.

**Cabinetry** - a collection of cupboards with drawers or shelves.

**Circuit breaker** - an automatic device for stopping the flow of current in an electrical circuit for safety reasons.

**Control display** - an electrical component which depicts various function.

**Insulation** - protecting or shielding an object from excessive heat or moisture.

**Licensed professional** - a person who has had the proper training and prerequisite to complete a certain job.

**Manufacturer** - the person or organisation which is the original producer of a product.

**Metal scraper** - a single edged tool used to scrape a surface clean.

**Packaging** - the materials used to wrap or protect goods.

**Trouble shooting** - finding the causes of common problems.

**User experience** - the overall experience of a person using a product, in terms of how easy or pleasing it is to use.

**Warranty** - a written guarantee promising to repair or replace a product under certain circumstances within a certain time.



