

WELCOME TO YOUR NEW FRANKE RANGEHOOD

You're about to begin a very happy and delicious relationship. Let's get started.

This is no ordinary rangehood.



FDL9065XSAU - 90CM 3FLARE CANOPY RANGEHOOD

MAKE IT WONDERFUL

FRANKE



AN IMPORTANT NOTE

Please read this document and the safety information carefully before you first use your rangehood.

SUPPORT

Speak to our customer service representatives.
Australia: 03 9700 9100 | info@prks.com.au
New Zealand: 09 964 0400 | info@prks.co.nz

WARRANTY

Your Franke product is protected by a 2-year warranty. Should you ever need to make a warranty enquiry, simply contact our service department.
Australia: 03 9700 9100 | service@prks.com.au
New Zealand: 09 964 0400 | service@prks.co.nz

GET SOCIAL

Keep up to date on all things Franke by following us on Facebook and Instagram.

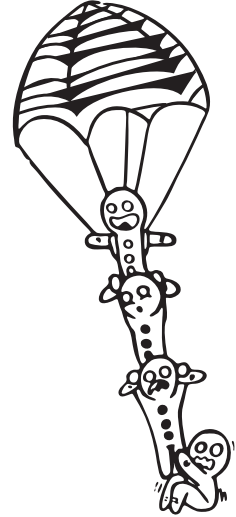
@FrankeAUS
#makeitwonderful

"LET'S LET EVERYONE ELSE BE ORDINARY,
WHILE WE MAKE IT WONDERFUL"

CONTENTS

Chapter 1: Ready, set up, go

- 5 Rangehood functions
- 6 First time use
- 6 Warnings and safety
- 7 Installation instructions
- 16 Surrounding area information
- 16 Intended function
- 16 Environmental information
- 16 Disposal



Chapter 2: Life with your Franke Rangehood

- 18 Operating your rangehood
- 18 Maintenance information
- 18 Cooking information
- 18 Changing the filters

Chapter 3: Getting the most out of your Franke Rangehood

- 20 Cleaning and care
- 20 Interior lighting

Chapter 4: Last, but not least

- 22 Warnings, hazards, risks and legal

Looking for something?

- 23 Glossary

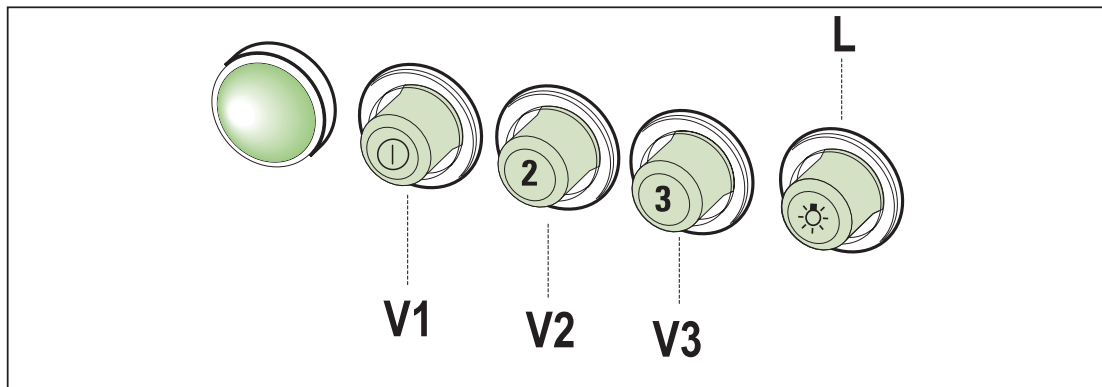
CHAPTER 1



READY, SET UP, GO

Your Franke rangehood is designed to be set up quickly and easily - so you can start creating delicious masterpieces even sooner.

RANGEHOOD FUNCTIONS



BUTTON	FUNCTIONS
V1 Speed	Turns the Motor on at Speed one.
	Turns the Motor off.
V2 Speed	Turns the Motor on at Speed two.
V3 Speed	Turns the Motor on at Speed three.
L Light	Turns the Lighting System on and off.



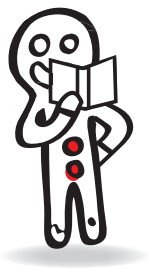
FIRST TIME USE

When the rangehood is first switched on, it may give off an unpleasant smell. This is due to the bonding agent used for the insulation panels within the rangehood.

Run the rangehood on the highest setting for 15 minutes before using the rangehood with the cooktop on.

WARNINGS & SAFETY

- The appliance will become hot during use and directly after use.
- Children under the age of 8 years old should refrain from using the rangehood. Children over the age of 8 should only use the rangehood under adult supervision.
- If any parts become damaged, they must be replaced by the manufacturer only, including the power supply cord.
- Do not use abrasive cleaners or sharp metal scrapers during cleaning.



INSTALLATION INSTRUCTIONS

Check the appliance for damage after unpacking it, and don't connect the appliance if it has been damaged in transport.

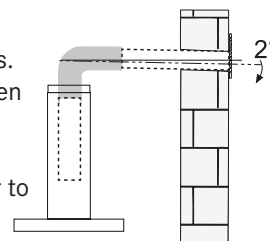
Only a licensed professional may connect the appliance - damage caused by incorrect installation is not covered under the warranty. Ensure that the panels of the cabinetry around the rangehood are heat resistant, and the glues and materials can withstand temperatures of at least 70 degrees Celsius.

Before fitting the hood to the wall unit: Remove the filters, disconnect the wires, remove the frame by undoing the 4 screws on the outer edge.

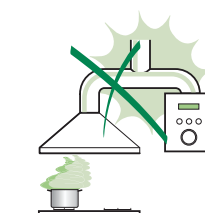
The minimum safe distance between the cooktop and the extractor rangehood is 650mm.

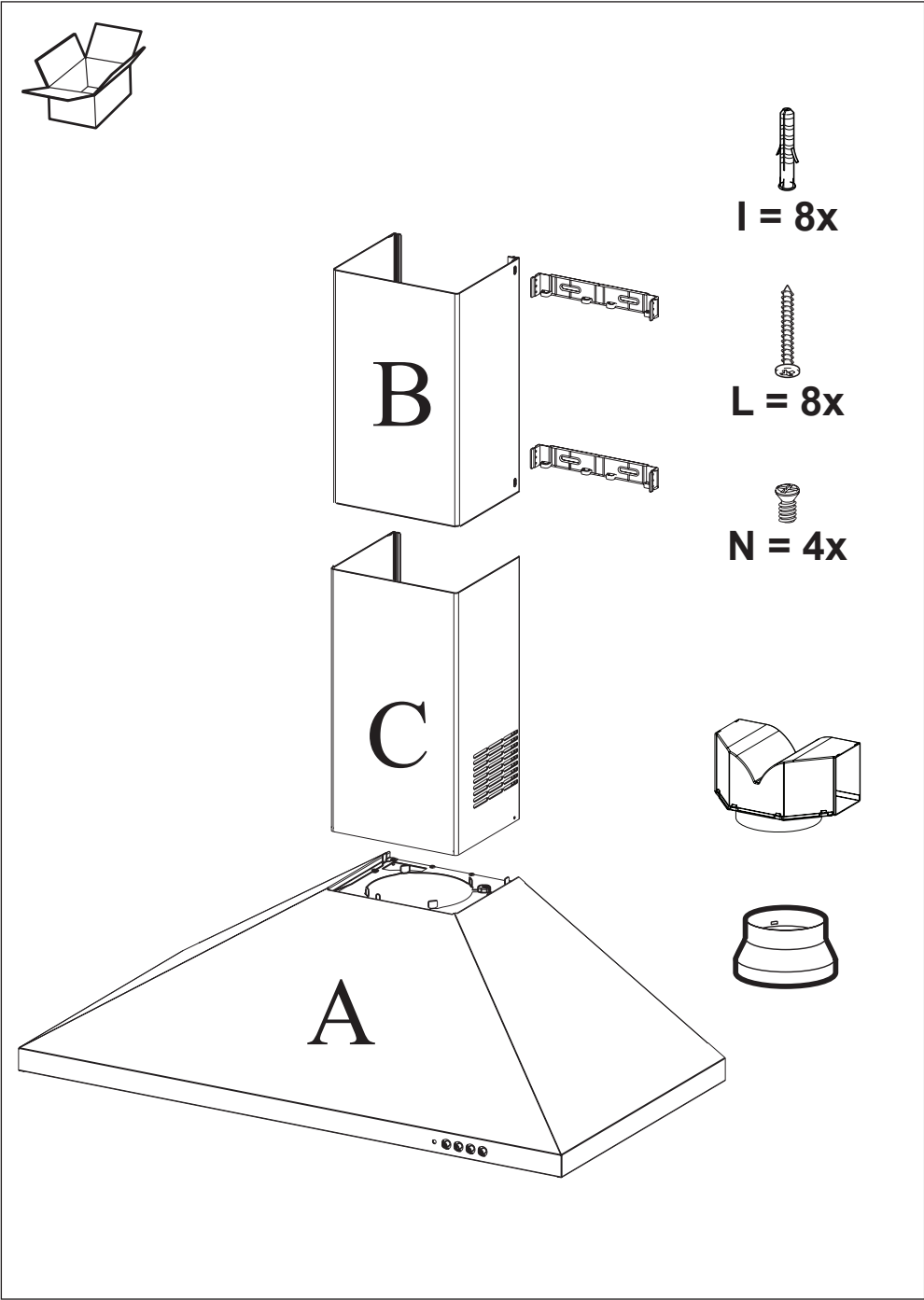
Connect the extractor to the exhaust flume through a pipe with minimum diameter of 120mm. Do not connect the extractor hood to exhaust ducts carrying combustible fumes.

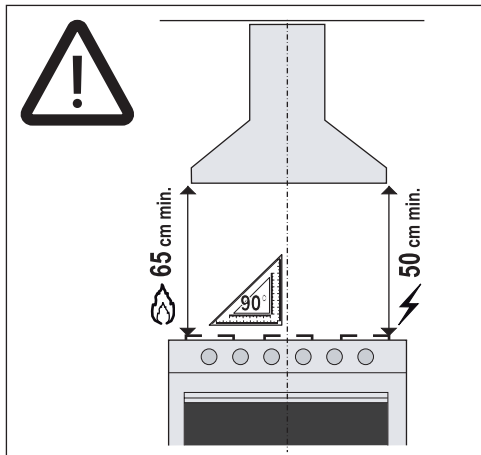
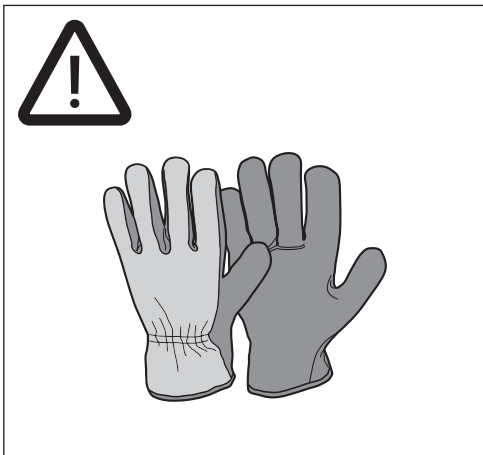
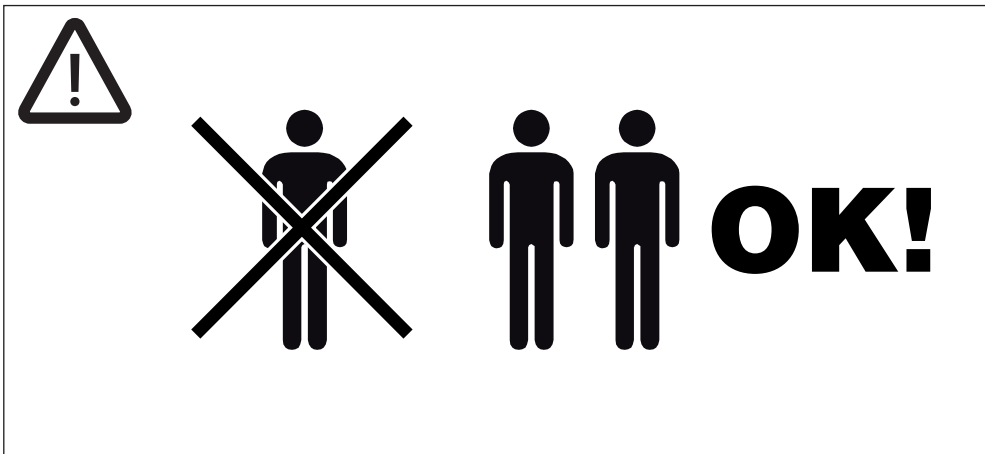
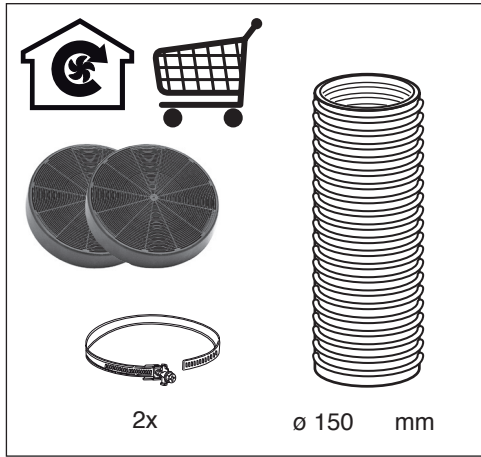
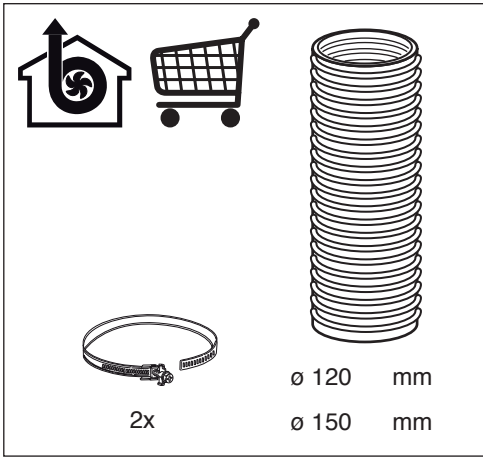
- The manufacturer will not be held liable for any damages resulting from incorrect or improper installation.
- The minimum safety distance between the cooker top and the extractor hood is 650 mm (some models can be installed at a lower height, please refer to the paragraphs on working dimensions and installation).
- Check that the mains voltage corresponds to that indicated on the rating plate fixed to the inside of the hood.
- For Class I appliances, check that the domestic power supply guarantees adequate earthing. Connect the extractor to the exhaust flue through a pipe of minimum diameter 120 mm. The route of the flue must be as short as possible.
- Do not connect the extractor hood to exhaust ducts carrying combustion fumes (boilers, fireplaces, etc.).
- If the extractor is used in conjunction with non-electrical appliances (e.g. gas burning appliances), a sufficient degree of aeration must be guaranteed in the room in order to prevent the backflow of exhaust gas. The kitchen must have an opening communicating directly with the open air in order to guarantee the entry of clean air. When the cooker hood is used in conjunction with appliances supplied with energy other than electric, the negative pressure in the room must not exceed 0,04 mbar to prevent fumes being drawn back into the room by the cooker hood.

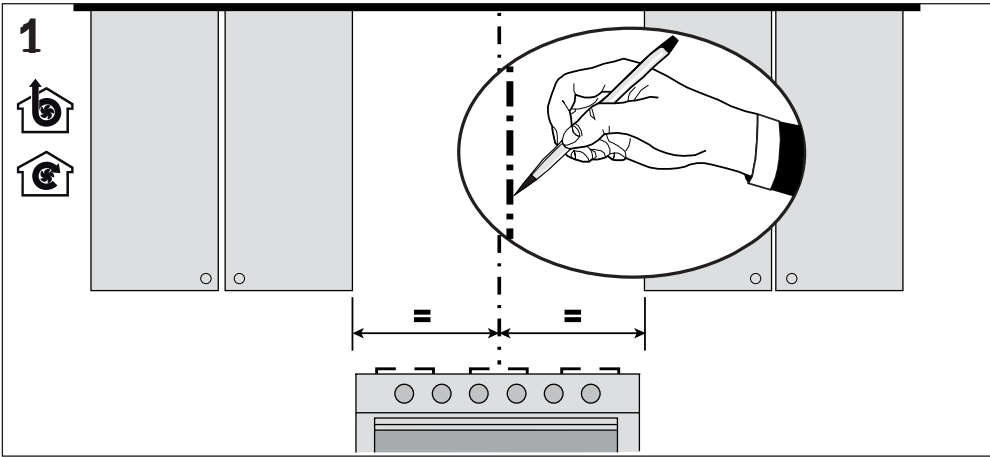
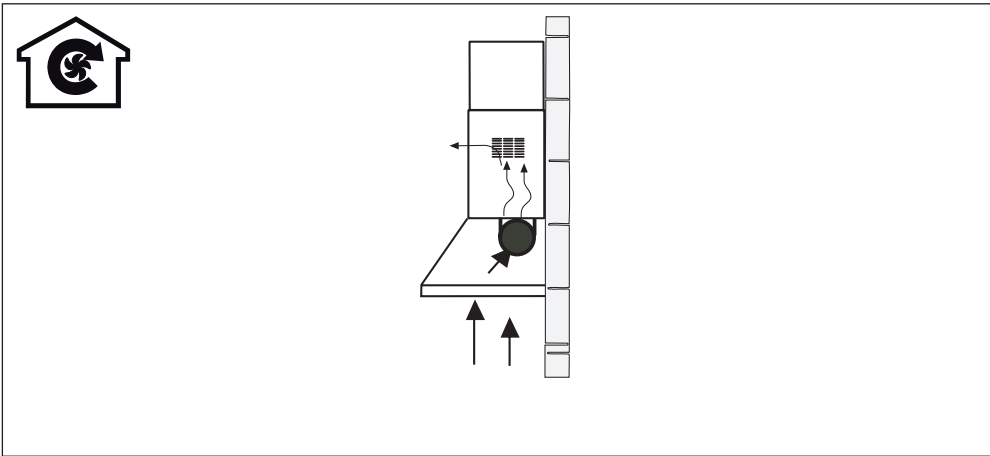
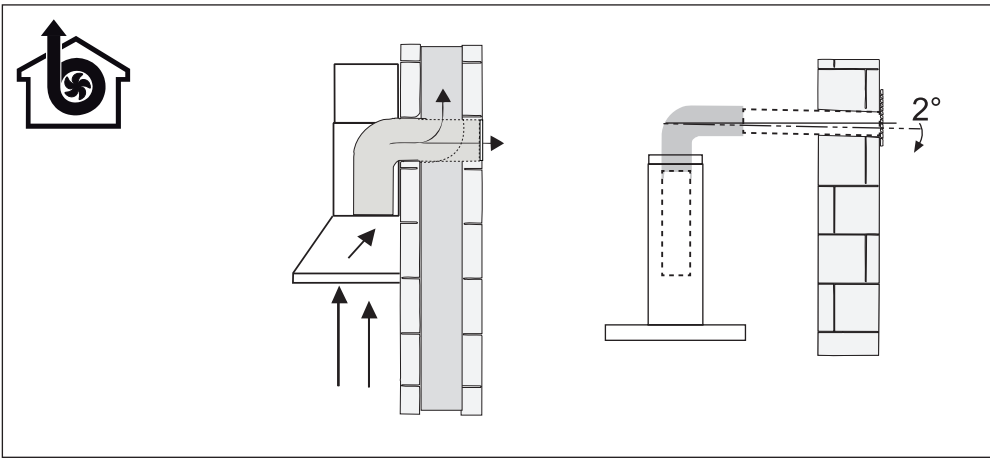


- The air must not be discharged into a flue that is used for exhausting fumes from appliances burning gas or other fuels (not applicable to appliances that only discharge the air back into the room).
- If the supply cord is damaged, it must be replaced by the manufacturer, its service agent or similarly qualified persons in order to avoid a hazard.
- If the instructions for installation for the gas hob specify a greater distance specified above, this has to be taken into account. Regulations concerning the discharge of air have to be fulfilled.
- Use only screws and small parts in support of the hood.
Warning: Failure to install the screws or fixing device in accordance with these instructions may result in electrical hazards.
- Connect the hood to the mains through a two-pole switch having a contact gap of at least 3 mm.
- Allow disconnection of the appliance from the supply after installation. The disconnection may be achieved by having the plug accessible or by incorporating a switch in the fixed wiring in accordance with the wiring rules.

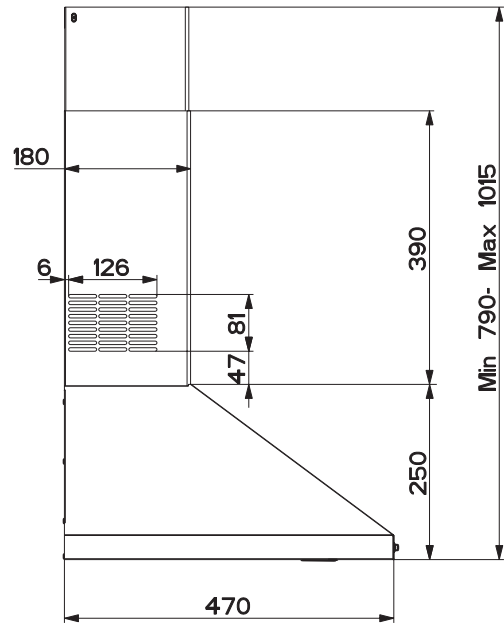
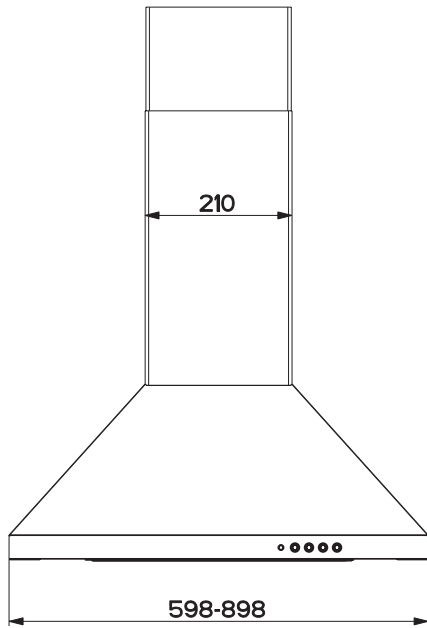


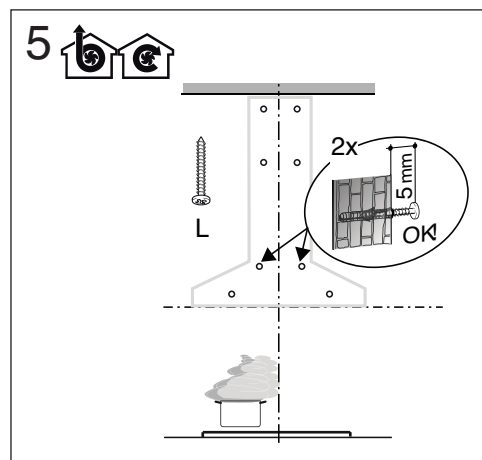
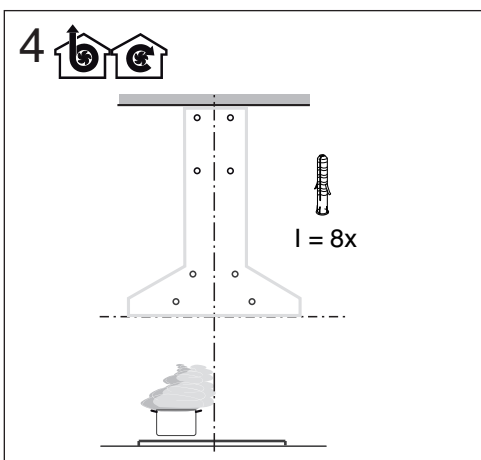
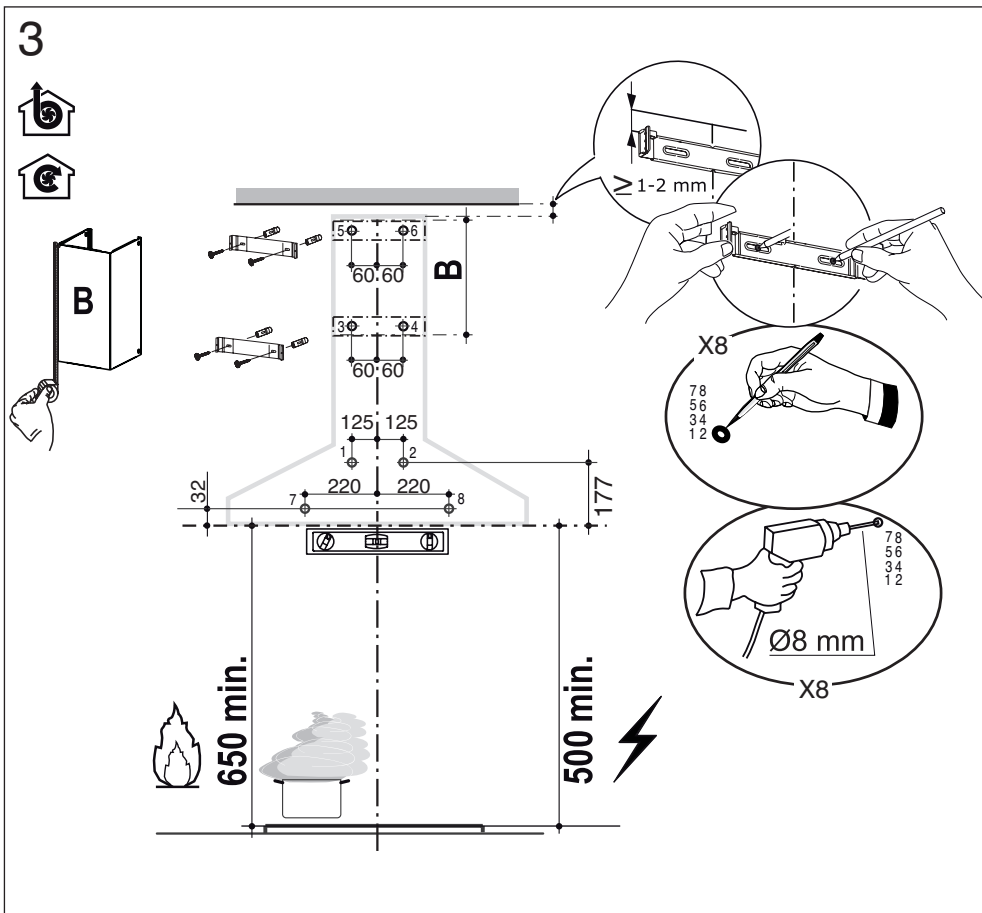


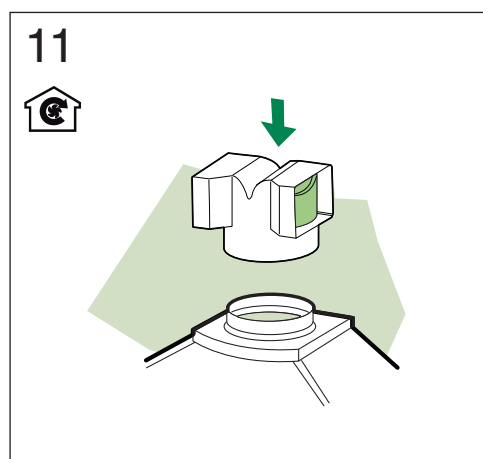
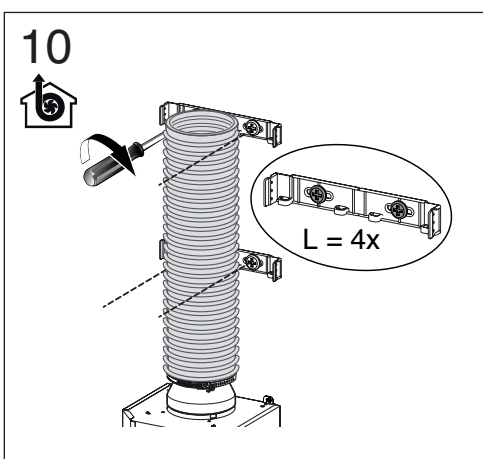
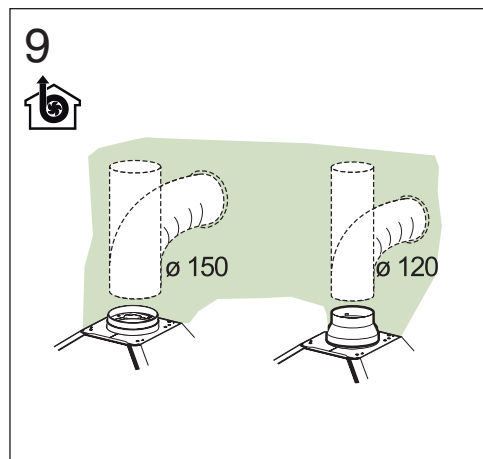
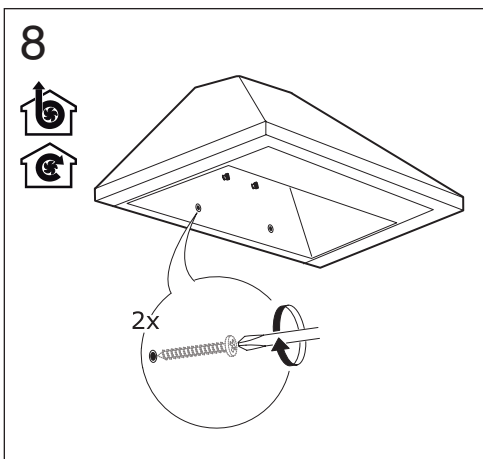
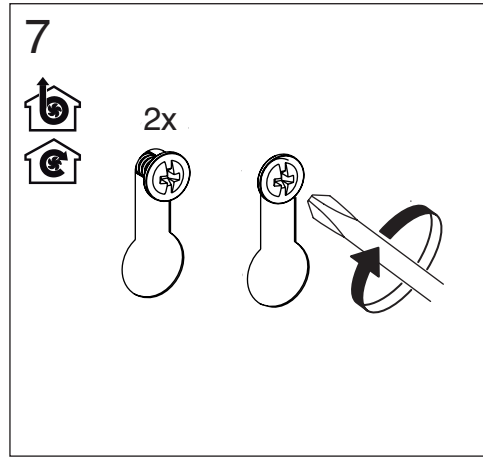
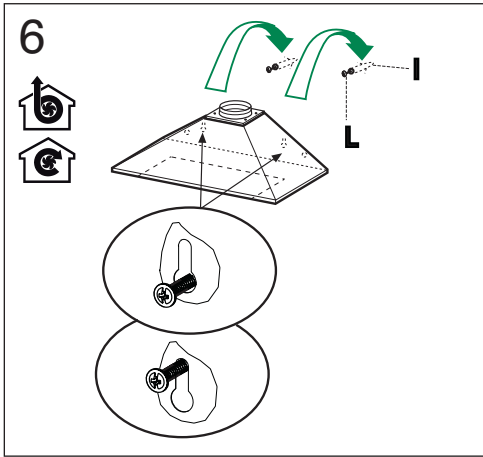


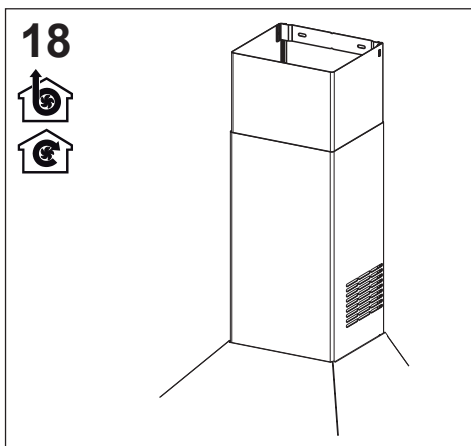
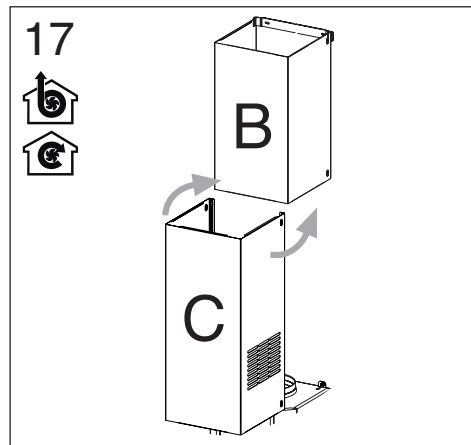
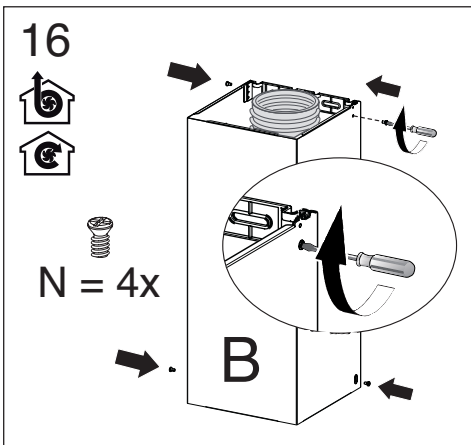
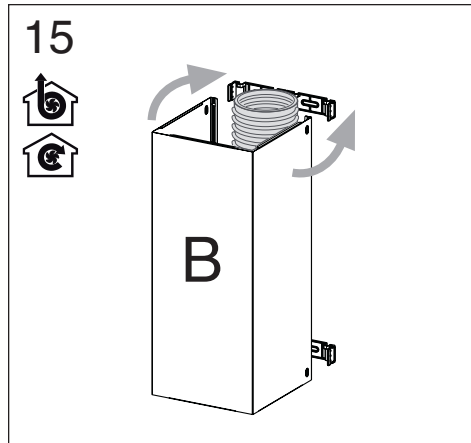
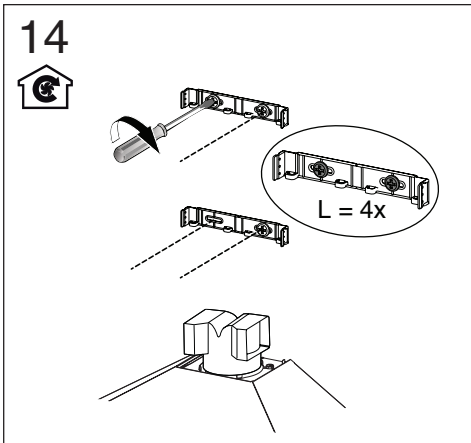
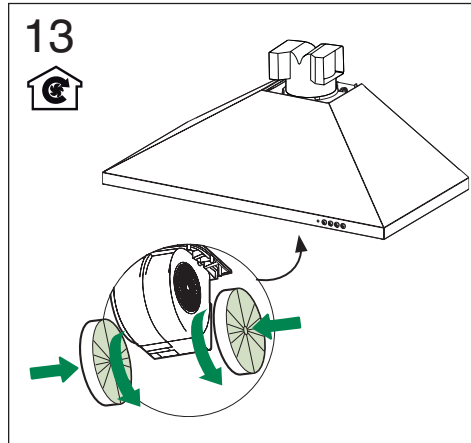
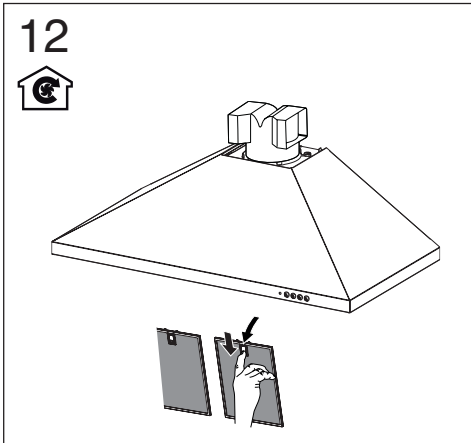


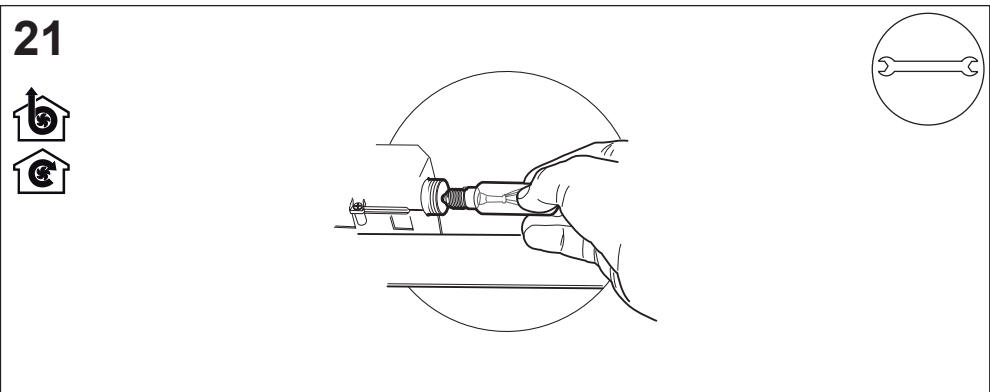
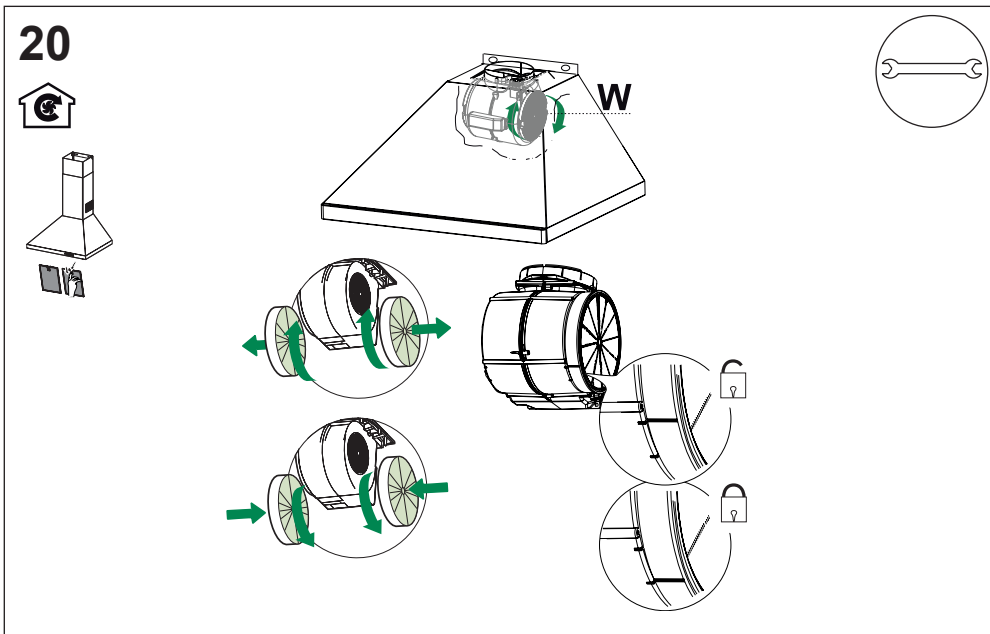
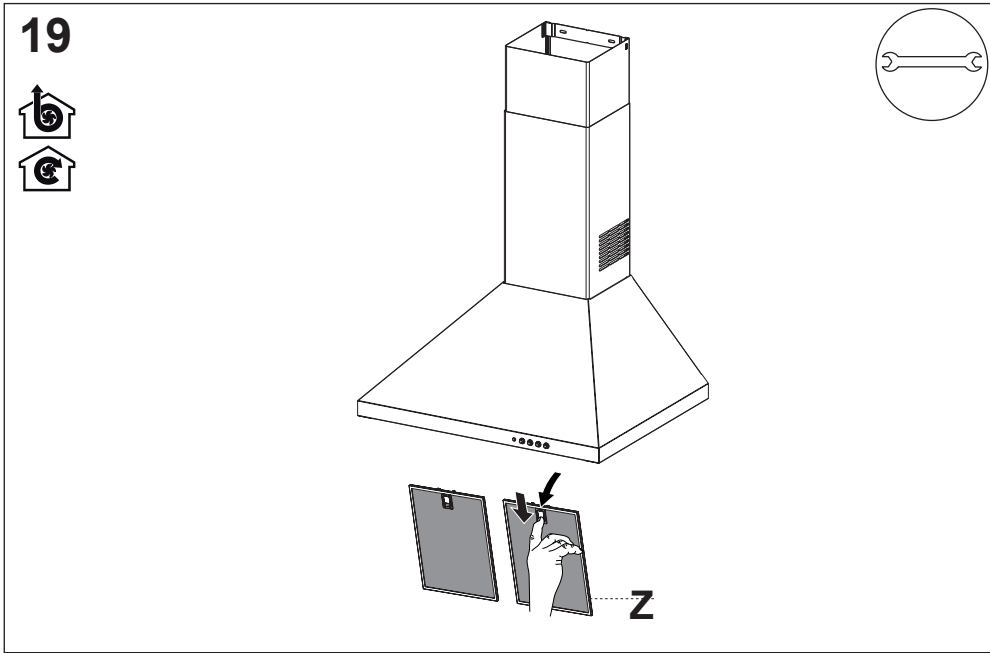
2











SURROUNDING AREA INFO

There must be sufficient air supply in the room in order to prevent backflow of exhaust gases. The kitchen must have adequate clean air ventilation. The negative pressure in the room must not exceed 0.04mbar to prevent fumes being drawn back into the room.

INTENDED FUNCTION

This appliance has been designed solely for use in domestic kitchens to eliminate foul smells, or a build up of cooking exhaust (smoke from cooking for example). Never use the hood for purposes which it was not designed for.

ENVIRONMENTAL INFORMATION

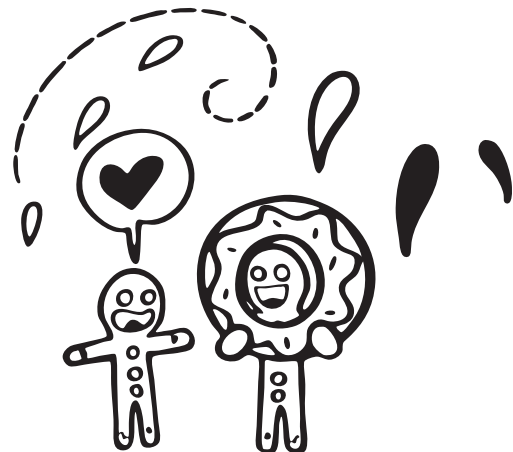
This Franke appliance is particularly energy efficient, however to make the most out of it, and to save even more energy make sure you adhere to the following steps:

1. Only have the motor on setting 2 or 3, if setting 1 does not adequately vent the room.
2. Avoid leaving the light on for extended periods of time.

DISPOSAL

Dispose of all packaging in an environmentally friendly manner. Franke practises environmentally conscious behaviour, and this appliance is labelled in accordance with the used electrical and electronic appliances waste guidelines.

If you have any questions on disposals, please call the Franke customer service team on 03 9700 9100.



CHAPTER 2



LIFE WITH YOUR FRANKE RANGEHOOD

We designed this rangehood with one thing in mind.
How do we create a wonderfully simple user experience
for **you**, our customer?

OPERATING YOUR RANGEHOOD

To turn on the extractor motor function and choose your desired motor speed:

1. Press the desired motor speed setting (1,2 or 3). 1 will automatically be selected if you press the on/off button.
2. To turn off the rangehood, simply press the on/off button.
3. To operate the LED lamp, clicking the light button toggles the lamp on/off.

MAINTENANCE INFORMATION

Before carrying out any maintenance of changing the filters, globes or cleaning the appliance, turn off or unplug the appliance from the mains to avoid electric shock.

COOKING INFORMATION

Never leave high naked flames under the hood when it is in operation.

Adjust the flame intensity to direct it onto the bottom of the pan only, making sure that it does not engulf the sides.

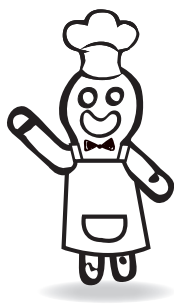
If the rangehood is used over a deep fryer, it must be continually monitored during use.

Do not spray oil directly onto an open flame or hot surface for risk of fire.

CHANGING THE FILTERS

Change or replace the filters after the specific time period to avoid a clogging hazard.

The grease filters must be cleaned every 2 months of operation or more frequently for heavy use. These can be placed in a dishwasher.



CHAPTER 3



GETTING THE MOST OUT OF YOUR FRANKE RANGEHOOD

Getting the most out of your Franke rangehood.
Your Franke rangehood turns work into play, and
inspires creativity every single day.

CLEANING AND CARE

We want your Franke Appliance to be looking this good for a long time to come. To ensure that the various surfaces are not damaged through cleaning, please observe the following:

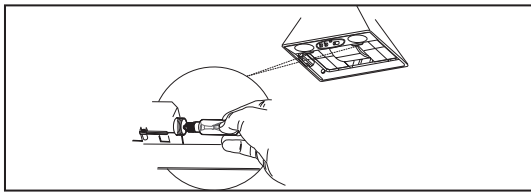
Stainless steel: Hot soapy water with a soft cloth


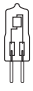
Control panel: Clean with a dish cloth and the dry with a soft cloth

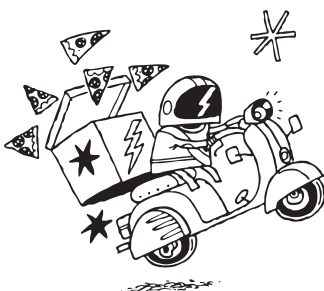
Filters: A mix of hot soapy water and lemon juice. Wash with a dish cloth, and then allow to dry. Or place in the dishwasher.

INTERIOR LIGHTING

If the interior bulb or cover is defective for any reason or the light no longer operates, please call our service team for support.



LampP	ower (W)S	ocket	Voltage (V)D	imension (mm)	ILCOS Code
	28	E14	220-240	104 x 35	HSGSB/C/UB-28-220/240-E14
	20	G4	12	33 x 9	HSG/C/UB-20-12-G4



CHAPTER 4



LAST BUT NOT LEAST

This section contains the warnings, precautions and legal notices to make sure everything runs smoothly.

ELECTRIC SHOCK HAZARD

Never carry out an repairs yourself, always get an authorized technician to do any repairs or maintenance on your rangehood. If any electrical components become damaged or there is exposed wiring, there is a risk of electrical shock.

Ensure whenever the rangehood is in operation and you come into contact with it, that appropriate footwear is worn.

HAZARDS

The following is a comprehensive list of all hazards and risks this product possesses.

Risk of fire:

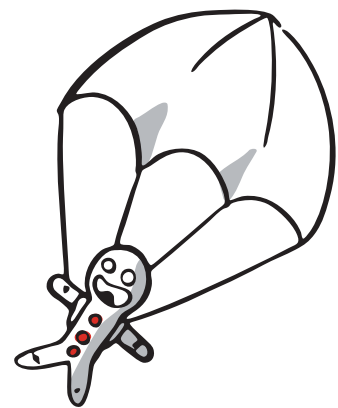
- Alcoholic vapours may catch fire. Never use a high quantity of alcohol in a cooking recipe.

Risk of electric shock:

- The insulation and coating of rangehood accessories may cause electric shock if they come into contact with electrical components.

Risk of death or serious injury to human health:

- The cables and wiring harnesses at the rear of the rangehood must not be tampered with or come into contact with the hot appliance.
- If the appliance is not operating correctly, do not continue to operate it. Discuss your problem with our customer service team.



GLOSSARY

Abrasive - a coarse and harsh substance capable of polishing or cleaning a surface by rubbing or grinding.

Buzzer - a device that makes a loud noise and is used to signal something.

Cabinetry - a collection of cupboards with drawers or shelves.

Circuit breaker - an automatic device for stopping the flow of current in an electrical circuit for safety reasons.

Control display - an electrical component which depicts various function.

Insulation - protecting or shielding an object from excessive heat or moisture.

Licensed professional - a person who has had the proper training and prerequisite to complete a certain job.

Manufacturer - the person or organisation which is the original producer of a product.

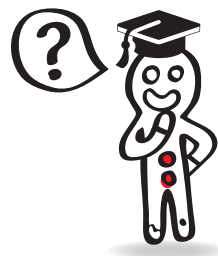
Metal scraper - a single edged tool used to scrape a surface clean.

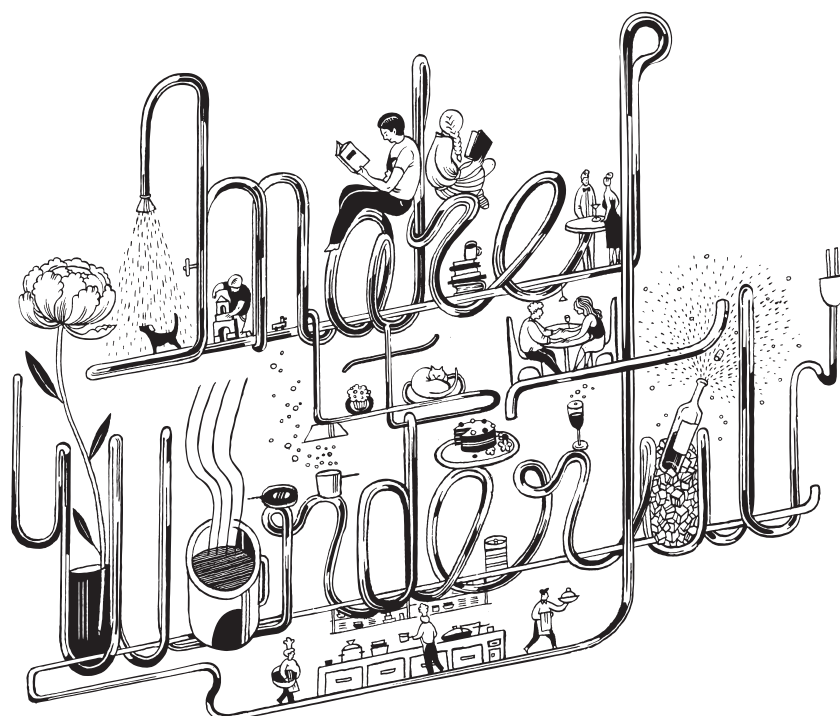
Packaging - the materials used to wrap or protect goods.

Trouble shooting - finding the causes of common problems.

User experience - the overall experience of a person using a product, in terms of how easy or pleasing it is to use.

Warranty - a written guarantee promising to repair or replace a product under certain circumstances within a certain time.





PR Kitchen & Washroom Systems
83 Bangholme Road
Dandenong South
VIC 3175
Australia
Phone +61 3 9700 9100
Fax +61 3 9700 9191
info@prks.com.au
www.franke.com.au

PR Kitchen & Washroom Systems NZ Ltd
P.O Box 53171, Auckland Airport
Auckland 2150
New Zealand
Phone 09 964 0400
Fax 09 964 0401
info@prks.co.nz
www.franke.co.nz

