

WELCOME TO YOUR NEW FRANKE RANGEHOOD

You're about to begin a very happy and delicious
relationship. Let's get started.

This is no ordinary rangehood.



FTC622XSAU - 60CM SLIDE OUT RANGEHOOD

MAKE IT WONDERFUL

FRANKE



AN IMPORTANT NOTE

Please read this document and the safety information carefully before you first use your rangehood.

SUPPORT

Speak to our customer service representatives.

Australia: 03 9700 9100 | info@prks.com.au

New Zealand: 09 964 0400 | info@prks.co.nz

WARRANTY

Your Franke product is protected by a 2-year warranty. Should you ever need to make a warranty enquiry, simply contact our service department.

Australia: 03 9700 9100 | service@prks.com.au

New Zealand: 09 964 0400 | service@prks.co.nz

GET SOCIAL

Keep up to date on all things Franke by following us on Facebook and Instagram.

@FrankeAUS

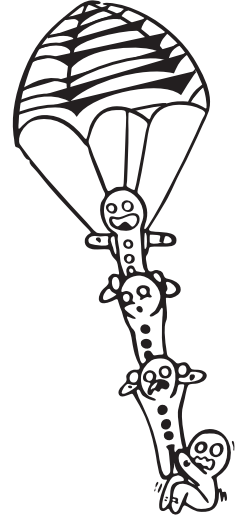
#makeitwonderful

"LET'S LET EVERYONE ELSE BE ORDINARY,
WHILE WE MAKE IT WONDERFUL"

CONTENTS

Chapter 1: Ready, set up, go

- 5 Rangehood functions
- 6 First time use
- 6 Warnings and safety
- 7 Recommendation and suggestions
- 8 Use
- 8 Maintenance
- 9 Characteristics
- 10 Installation
- 12 Surrounding area info
- 12 Intended function
- 12 Environmental information
- 12 Disposal



Chapter 2: Life with your Franke Rangehood

- 14 Operating your rangehood
- 14 Maintenance information
- 14 Cooking information
- 14 Changing the filters

Chapter 3: Last, but not least

- 16 Warnings, hazards, risks and legal

Looking for something?

- 17 Glossary

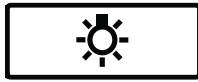
CHAPTER 1



READY, SET UP, GO

Your Franke rangehood is designed to be set up quickly and easily - so you can start creating delicious masterpieces even sooner.

RANGEHOOD FUNCTIONS



Lamp Toggle On/Off

Used to switch the lights on the rangehood on or off.



Motor On/Off

Used to turn the motor on or off. The default “on” setting is motor speed 1. Pressing this button again will turn the rangehood off.



Motor Speed 2

Used to select motor speed 2. Press and hold for 3 seconds to reset the charcoal filter change alarm.



Motor Speed 3

Used to select motor speed 3. Press and hold for 3 seconds to reset the grease filter clean alarm.



Intensive Motor Speed

Used to select the strongest, most intense motor speed for superior extraction. This speed will only run for 6 minutes, and after 6 minutes it will return to the last set motor speed. Press and hold for 3 seconds to enable the remote control. The LED indicator will flash twice to confirm.



LED Indicator

This LED will confirm a selection of the remote, or: if it flashes the charcoal filter needs replacing, or: if it is on continually, the grease filter needs cleaning.



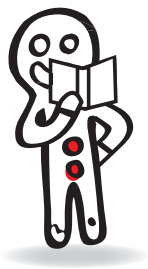
FIRST TIME USE

When the rangehood is first switched on, it may give off an unpleasant smell. This is due to the bonding agent used for the insulation panels within the rangehood.

Run the rangehood on the highest setting for 15 minutes before using the rangehood with the cooktop on.

WARNINGS & SAFETY

- The appliance will become hot during use and directly after use.
- This appliance is not intended for use by persons (including children) with reduced physical, sensory or mental capabilities, or lack of experience and knowledge, unless they have been given supervision or instruction concerning use of the appliance by a person responsible for their safety.
- Children should be supervised to ensure that they do not play with the appliance.
- If any parts become damaged, they must be replaced by the manufacturer only, including the power supply cord.
- Do not use abrasive cleaners or sharp metal scrapers during cleaning.

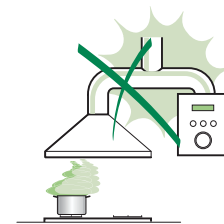
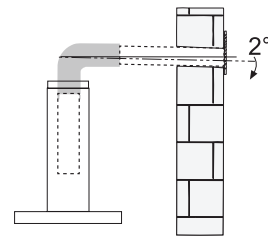


RECOMMENDATIONS AND SUGGESTIONS

The Instructions for Use apply to several versions of this appliance. Accordingly, you may find descriptions of individual features that do not apply to your specific appliance.

INSTALLATION

- The manufacturer will not be held liable for any damages resulting from incorrect or improper installation.
- The minimum safety distance between the cooker top and the extractor hood is 650 mm (some models can be installed at a lower height, please refer to the paragraphs on working dimensions and installation).
- Check that the mains voltage corresponds to that indicated on the rating plate fixed to the inside of the hood.
- For Class I appliances, check that the domestic power supply guarantees adequate earthing. Connect the extractor to the exhaust flue through a pipe of minimum diameter 120 mm. The route of the flue must be as short as possible.
- Do not connect the extractor hood to exhaust ducts carrying combustion fumes (boilers, fireplaces, etc.).
- If the extractor is used in conjunction with non-electrical appliances (e.g. gas burning appliances), a sufficient degree of aeration must be guaranteed in the room in order to prevent the backflow of exhaust gas. The kitchen must have an opening communicating directly with the open air in order to guarantee the entry of clean air. When the cooker hood is used in conjunction with appliances supplied with energy other than electric, the negative pressure in the room must not exceed 0,04 mbar to prevent fumes being drawn back into the room by the cooker hood.
- The air must not be discharged into a flue that is used for exhausting fumes from appliances burning gas or other fuels (not applicable to appliances that only discharge the air back into the room).
- If the supply cord is damaged, it must be replaced by the manufacturer, its service agent or similarly qualified persons in order to avoid a hazard.
- If the instructions for installation for the gas hob specify a greater distance specified above, this has to be taken into account. Regulations concerning the discharge of air have to be fulfilled.
- Use only screws and small parts in support of the hood. Warning: Failure to install the screws or fixing device in accordance with these instructions may result in electrical hazards.
- Connect the hood to the mains through a two-pole switch having a contact gap of at least 3mm.
- Allow disconnection of the appliance from the supply after installation. The disconnection may be achieved by having the plug accessible or by incorporating a switch in the fixed wiring in accordance with the wiring rules.




USE

- The extractor hood has been designed exclusively for domestic use to eliminate kitchen smells.
- Never use the hood for purposes other than for which it has been designed.
- Never leave high naked flames under the hood when it is in operation.
- Adjust the flame intensity to direct it onto the bottom of the pan only, making sure that it does not engulf the sides.
- Deep fat fryers must be continuously monitored during use: overheated oil can burst into flames.
- Do not flambè under the range hood; risk of fire.
- Children shall not play with the appliance. Cleaning and user maintenance shall not be made by children without supervision.
- This appliance is not intended for use by persons (including children) with reduced physical, sensory or mental capabilities, or lack of experience and knowledge, unless they have been given supervision or instruction concerning use of the appliance by a person responsible for their safety.
- Children should be supervised to ensure that they do not play with the appliance.
- **CAUTION:** Accessible parts may become hot when used with cooking appliances.

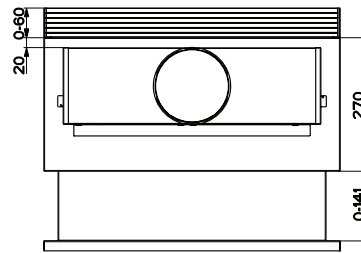
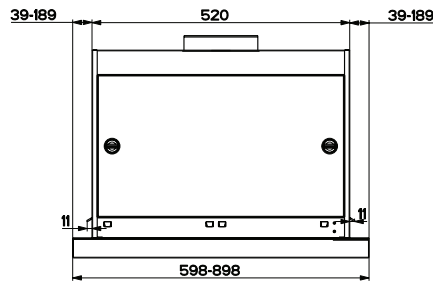
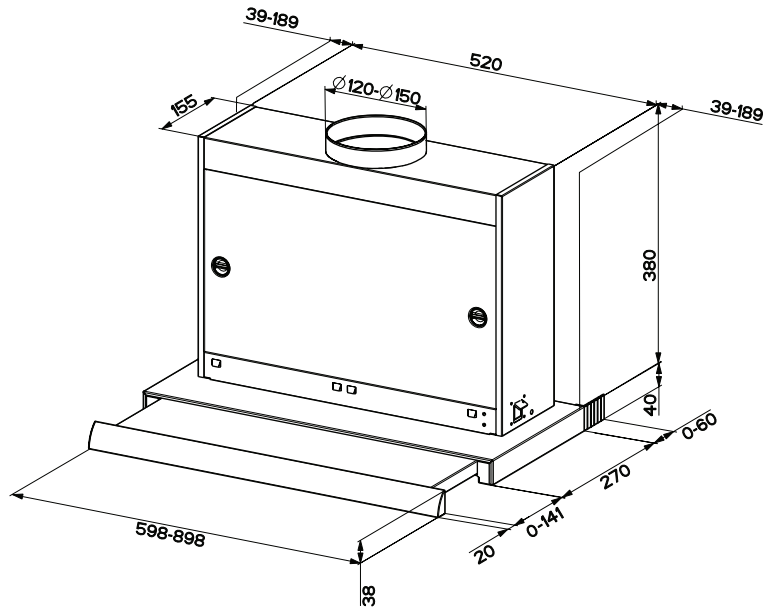


MAINTENANCE

- Switch off or unplug the appliance from the mains supply before carrying out any maintenance work.
- Clean and/or replace the Filters after the specified time period (Fire hazard).
- The Grease filters must be cleaned every 2 months of operation, or more frequently for particularly heavy usage, and can be washed in a dishwasher.
- The Activated charcoal filter is not washable and cannot be regenerated, and must be replaced approximately every 4 months of operation, or more frequently for particularly heavy usage.
- “Failure to carry out cleaning as indicated will result in a fire hazard”.
- Clean the hood using a damp cloth and a neutral liquid detergent.

The symbol “” on the product or on its packaging indicates that this product may not be treated as household waste. Instead it shall be handed over to the applicable collection point for the recycling of electrical and electronic equipment. By ensuring this product is disposed of correctly, you will help prevent potential negative consequences for the environment and human health, which could otherwise be caused by inappropriate waste handling of this product. For more detailed information about recycling of this product, please contact your local city office, your household waste disposal service or the shop where you purchased the product.

CHARACTERISTICS

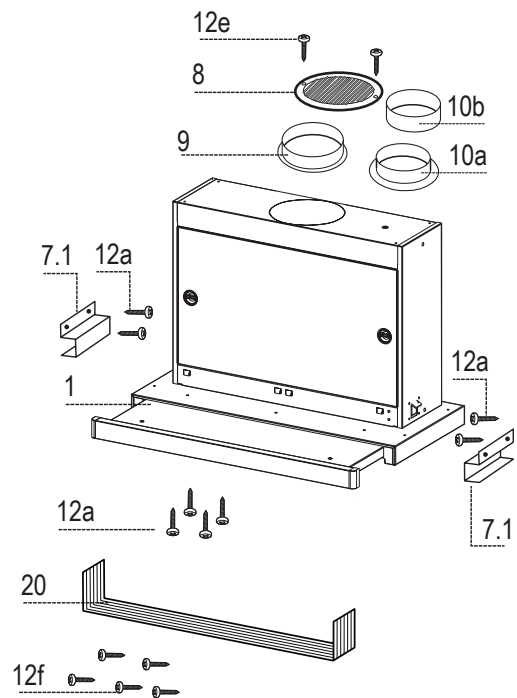


COMPONENTS

Ref.	Qty.	Product Components
1	1	Hood Body, complete with: Controls, Light, Blower, Filters
8	1	Directional Air Outlet grille
9	1	Flange $\varnothing 150\text{mm}$
10a	1	Flange $\varnothing 120\text{mm}$
10b	1	Adapting ring $\varnothing 120\text{-}125\text{mm}$
20	1	Closing element

Ref.	Qty.	Installation Components
7.1	2	Hood Body Fixing Brackets
12a	8	Screws 3.5 x 16
12e	2	Screws 2.9 x 12.7
12f	5	Screws 2.9 x 9.5

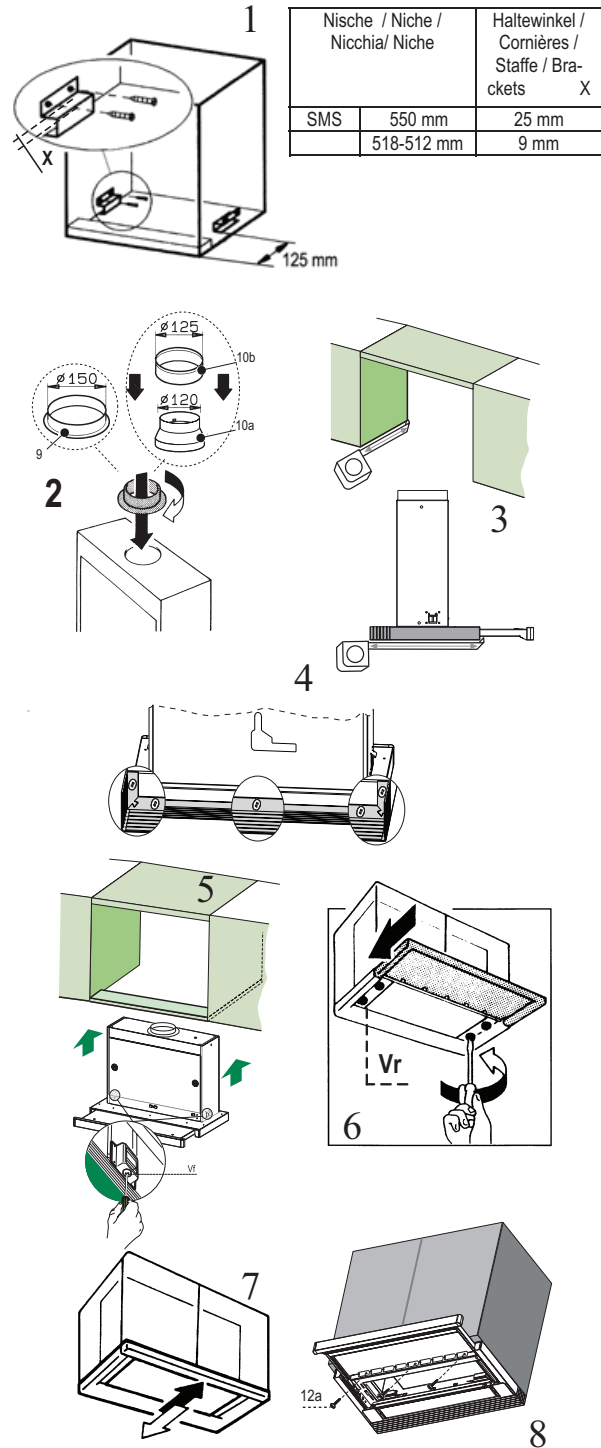
Qty.	Documentation
1	Instruction Manual



INSTALLATION

DRILLING THE SUPPORT SURFACE AND FITTING THE HOOD

- The Hood can be installed directly on the underside of wall-mounted units (650 mm min. from the Cooker Top) using the snap-on side supports.
- According to requirements, fit two of the support brackets for the hood (see table fig. 1) at a distance of 125 mm from the front of the wall-mounted unit.
- According to the chosen air outlet diameter, insert the appropriate flange into the upper exhaust outlet. (fig.2)
- Measure the depth of the wall-mounted unit. (fig.3)
- Measure the depth of the hood plus the fastening profile depth 20. (fig. 3)
- Adjust the depth of profile 20 accordingly, cutting it to size.
- Screw the fastening profile 20 to the rear part of the hood using screws 12f (2.9 x 9.5) provided. (fig.4)
- Open the ducting carriage.
- Remove the metal grease filters one at a time, releasing the fasteners provided.
- Close the ducting carriage.
- Insert the Hood until it connects with the snap-on side Supports. (fig.5)
- Open the ducting carriage.
- Lock it in position by tightening screws Vf from underneath the Hood. (fig.5)
- Should it be necessary to make adjustments to the inside of the filter holder element, proceed as follows:
 - Loosen the four adjustment screws Vr and close the carriage again. (fig.6)
 - Move the whole filter holder element until it is properly aligned with the wallmounted unit. (fig.7)
 - Holding the hood canopy still, extract the carriage and tighten the adjustment screws Vr. (fig.6)
 - It is now possible to fasten the hood to the wall-mounted unit using the screws 12a (3.5 x 16) provided. (fig.8)
- Replace the metal grease filters.
- Close the ducting carriage.

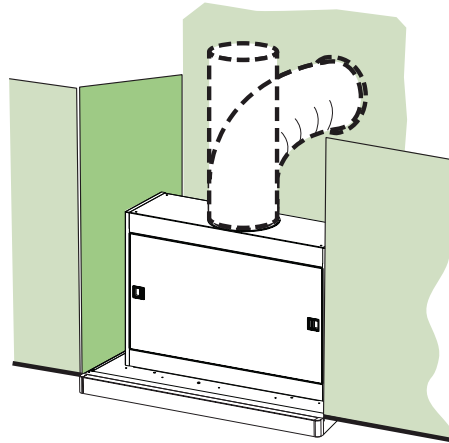


CONNECTIONS

Ducting version air exhaust system

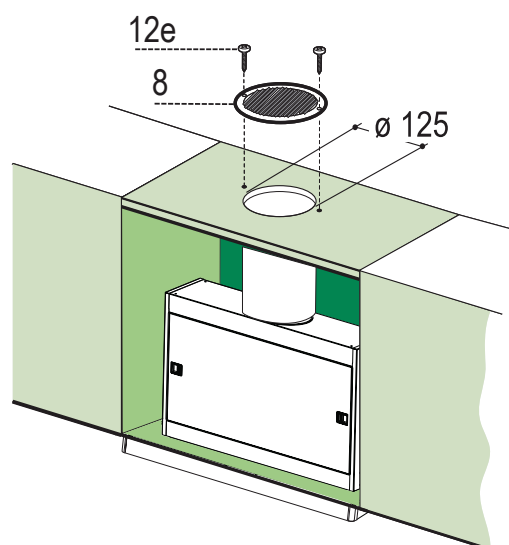
When installing the hood in ducting version, a rigid or a flexible pipe with the diameter corresponding to the flange diameter is used in order to connect the hood to the air outlet piping.

- Fix the pipe with an adequate quantity of pipe clamps (not supplied).
- Remove possible charcoal filters.



Recirculation version air outlet

- Cut a hole $\varnothing 125$ mm in any shelf that may be positioned over the hood.
- Insert the flange 10a on the hood body outlet.
- Connect the flange to the outlet on the shelf over the hood using a flexible or rigid pipe $\varnothing 120$ mm.
- Fix the pipe in position using sufficient pipe clamps (not supplied).
- Fix the directional grille 8 on the recirculation air outlet using the 2 screws 12e (2,9 x 12,7) provided.
- Ensure that the activated charcoal filters have been inserted.



Electrical connection

Connect the hood to the mains through a two-pole switch having a contact gap of at least 3mm.

SURROUNDING AREA INFO

There must be sufficient air supply in the room in order to prevent backflow of exhaust gases. The kitchen must have adequate clean air ventilation. The negative pressure in the room must not exceed 0.04mbar to prevent fumes being drawn back into the room.

INTENDED FUNCTION

This appliance has been designed solely for use in domestic kitchens to eliminate foul smells, or a build up of cooking exhaust (smoke from cooking for example). Never use the hood for purposes which it was not designed for.

ENVIRONMENTAL INFORMATION

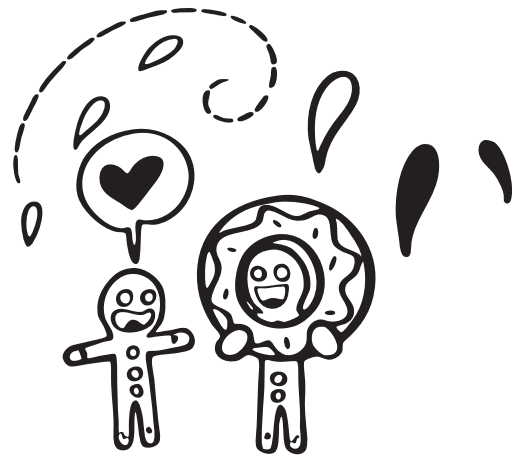
This Franke appliance is particularly energy efficient, however to make the most out of it, and to save even more energy make sure you adhere to the following steps:.

1. It is more energy efficient to bake several items at the same time to avoid prolonged operation.
2. Only have the motor on setting 2 or 3, if setting 1 does not adequately vent the room.
3. Avoid leaving the light on for extended periods of time.

DISPOSAL

Dispose of all packaging in an environmentally friendly manner. Franke practises environmentally conscious behaviour, and this appliance is labelled in accordance with the used electrical and electronic appliances waste guidelines.

If you have any questions on disposals, please call the Franke customer service team on 03 9700 9100.



CHAPTER 2

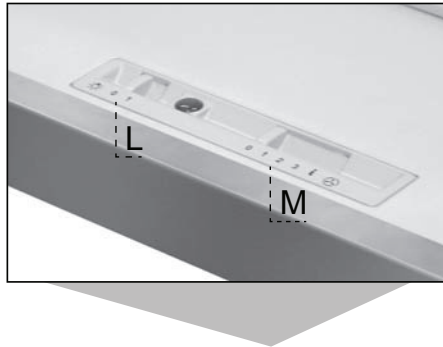


LIFE WITH YOUR FRANKE RANGEHOOD

We designed this rangehood with one thing in mind.
How do we create a wonderfully simple user experience
for **you**, our customer?

OPERATING YOUR RANGEHOOD

By pulling out the sliding panel it is possible to automatically activate all the hood functions.
By simply closing the sliding panel all the functions are switched off.



SWITCH	FUNCTIONS
L Light	Switches the lighting system on and off
M Motor	Switches the extractor motor on and off
	1. Low speed, used for a continuous and silent air change in the presence of light cooking vapour
	2. Medium speed, suitable for most operating conditions, thanks to an optimum relation between hood performance and noise.
	3. Maximum speed, suitable when the highest cooking vapour emission has to be eliminated for longer periods.

MAINTENANCE INFORMATION

Before carrying out any maintenance of changing the filters, globes or cleaning the appliance, turn off or unplug the appliance from the mains to avoid electric shock.

COOKING INFORMATION

Never leave high naked flames under the hood when it is in operation.

Adjust the flame intensity to direct it onto the bottom of the pan only, making sure that it does not engulf the sides.

If the rangehood is used over a deep fryer, it must be continually monitored during use.

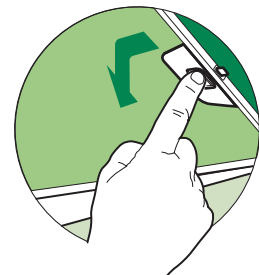
Do not spray oil directly onto an open flame or hot surface for risk of fire.

CHANGING THE FILTERS

Change or replace the filters after the specific time period to avoid a clogging hazard.

The grease filters must be cleaned every 2 months of operation or more frequently for heavy use. These can be placed in a dishwasher.

- Pull out the sliding suction panel.
- Remove the filters one by one, after having disconnected the relative fastening elements.
- Wash the filters, taking care not to bend them. Let them get dry before refitting them. (The colour of the filter surface may change throughout the time but this has no influence to the filter efficiency).
- When refitting the filters, make sure that the handle is visible on the outside.
- Close the sliding suction panel.



CHAPTER 3



LAST BUT NOT LEAST

This section contains the warnings, precautions and legal notices to make sure everything runs smoothly.

ELECTRIC SHOCK HAZARD

Never carry out an repairs yourself, always get an authorized technician to do any repairs or maintenance on your rangehood. If any electrical components become damaged or there is exposed wiring, there is a risk of electrical shock.

Ensure whenever the rangehood is in operation and you come into contact with it, that appropriate footwear is worn.

HAZARDS

The following is a comprehensive list of all hazards and risks this product possesses.

Risk of fire:

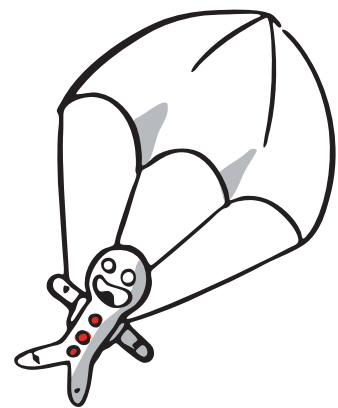
- Any combustible items left in or near the rangehood during operation

Risk of electric shock:

- The insulation and coating of rangehood accessories may cause electric shock if they come into contact with electrical components.

Risk of death or serious injury to human health:

- The cables and wiring harnesses at the rear of the rangehood must not be tampered with or come into contact with the hot appliance.
- If the appliance is not operating correctly, do not continue to operate it. Discuss your problem with our customer service team.



GLOSSARY

Abrasive - a coarse and harsh substance capable of polishing or cleaning a surface by rubbing or grinding.

Buzzer - a device that makes a loud noise and is used to signal something.

Cabinetry - a collection of cupboards with drawers or shelves.

Circuit breaker - an automatic device for stopping the flow of current in an electrical circuit for safety reasons.

Control display - an electrical component which depicts various function on a screen, usually LED.

Insulation - protecting or shielding an object from excessive heat or moisture.

Licensed professional - a person who has had the proper training and prerequisite to complete a certain job.

Manufacturer - the person or organisation which is the original producer of a product.

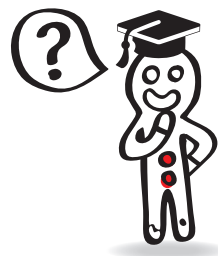
Metal scraper - a single edged tool used to scrape a surface clean.

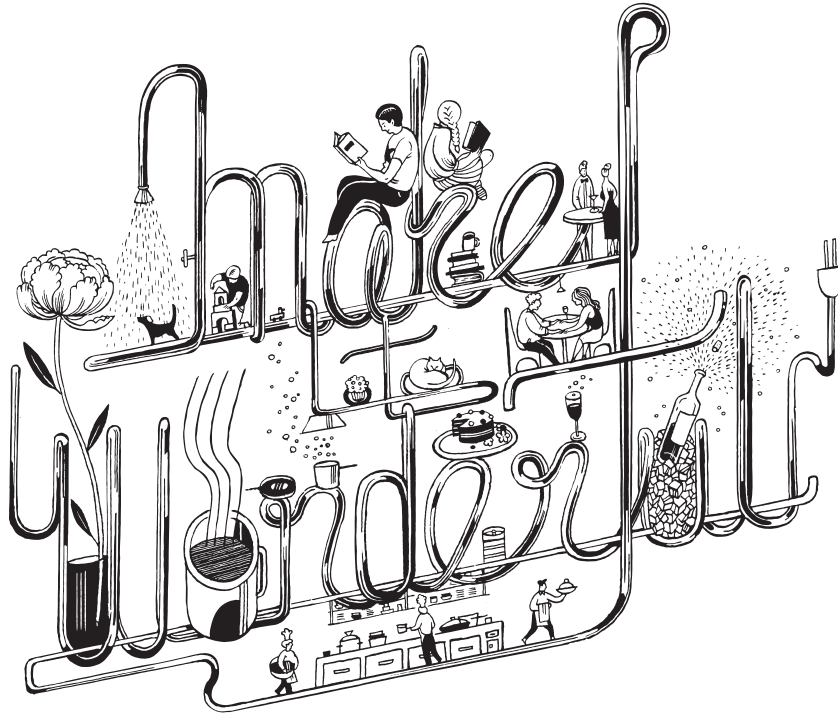
Packaging - the materials used to wrap or protect goods.

Trouble shooting - finding the causes of common problems.

User experience - the overall experience of a person using a product, in terms of how easy or pleasing it is to use.

Warranty - a written guarantee promising to repair or replace a product under certain circumstances within a certain time.





PR Kitchen & Washroom Systems
83 Bangholme Road
Dandenong South
VIC 3175
Australia
Phone +61 3 9700 9100
Fax +61 3 9700 9191
info@prks.com.au
www.franke.com.au

PR Kitchen & Washroom Systems NZ Ltd
P.O Box 53171, Auckland Airport
Auckland 2150
New Zealand
Phone 09 964 0400
Fax 09 964 0401
info@prks.co.nz
www.franke.co.nz

