

WELCOME TO YOUR NEW FRANKE MICROWAVE

You're about to begin a very happy and delicious
relationship. Let's get started.

This is no ordinary microwave.



TG925BVY - MICROWAVE

MAKE IT WONDERFUL





AN IMPORTANT NOTE

Please read this document and the safety information carefully before you first use your microwave.

SUPPORT

Speak to our customer service representatives.

Australia: 03 9700 9100 | info@prks.com.au

New Zealand: 09 964 0400 | info@prks.co.nz

WARRANTY

Your Franke product is protected by a 2-year warranty. Should you ever need to make a warranty enquiry, simply contact our service department.

Australia: 03 9700 9100 | service@prks.com.au

New Zealand: 09 964 0400 | service@prks.co.nz

GET SOCIAL

Keep up to date on all things Franke by following us on Facebook and Instagram.

@FrankeAUS

#makeitwonderful

"LET'S LET EVERYONE ELSE BE ORDINARY,
WHILE WE MAKE IT WONDERFUL"

CONTENTS

Chapter 1: Ready, set up, go

- 5 Introducing your new Franke microwave
- 6 What's in the box?
- 6 First time use
- 6 Warnings and safety
- 7 Installation instructions
- 11 Disposal

Chapter 2: Life with your Franke Microwave

- 13 Setting the time
- 13 Child safety lock function
- 13 Microwave cooking
- 14 Grill or combi cooking
- 14 Quick start
- 15 Defrost function
- 15 Automatic menu
- 16 Multi-phase cooking

Chapter 3: Getting the most out of your Franke Microwave

- 18 Cleaning and care
- 18 Interior lighting

Chapter 4: Problem, meet solution

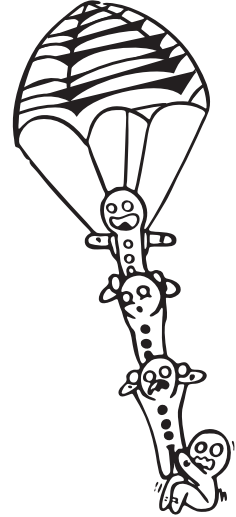
- 20 Trouble shooting

Chapter 5: Last, but not least

- 22 Warnings, hazards, risks and legal
- 22 Technical specifications

Looking for something?

- 24 Glossary and index



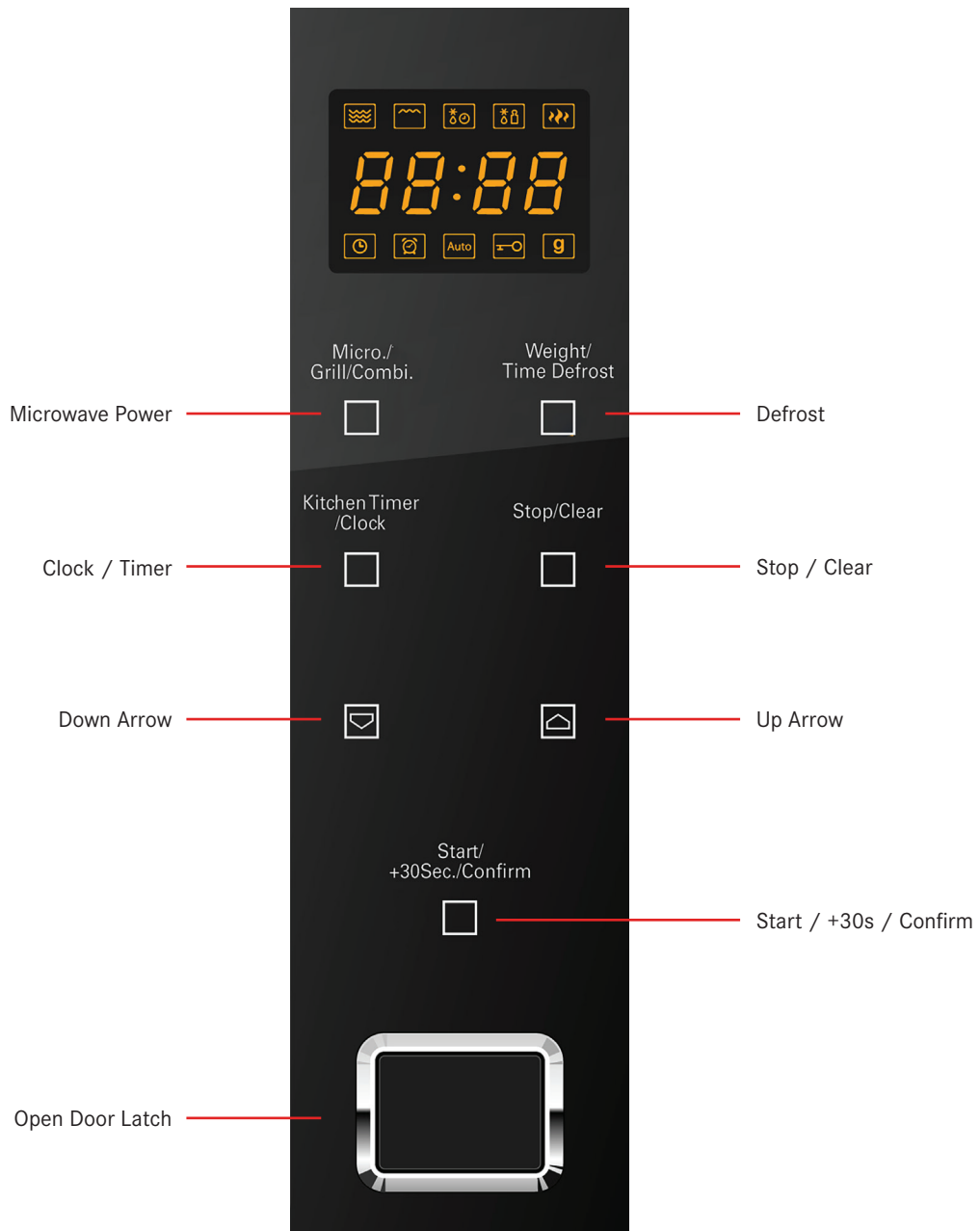
CHAPTER 1



READY, SET UP, GO

Your Franke microwave is designed to be set up quickly and easily - so you can start creating delicious masterpieces even sooner.

INTRODUCING: YOUR NEW FRANKE MICROWAVE



ACCESSORIES



Turntable

WHAT'S IN THE BOX?

- 1 x Franke Microwave
- 1 x Turntable
- 1 x Electrical cable for connection to power

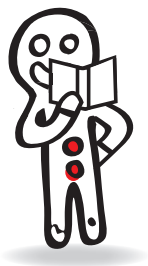
FIRST TIME USE

When the microwave is first switched on, it may give off an unpleasant smell. This is due to the bonding agent used for the insulation panels within the microwave. Run the microwave using 900W power at 9 minutes.

Important note: Never switch the microwave on while empty. During the start up process, place a microwave proof container or bowl with water.

WARNINGS & SAFETY

- The appliance will become hot during use and directly after use, care should be taken to avoid touching heating elements.
- This appliance is not intended for use by persons (including children) with reduced physical, sensory or mental capabilities, or lack of experience and knowledge, unless they have been given supervision or instruction concerning use of the appliance by a person responsible for their safety.
- Children should be supervised to ensure that they do not play with the appliance.
- CAUTION: Accessible parts may become hot when used with cooking appliances.
- If any parts become damaged, they must be replaced by the manufacturer only.
- Do not use abrasive cleaners or sharp metal scrapers during cleaning.
- Only use utensils which are suitable for use in the microwave.
- When heating food in plastic or paper containers, check the oven frequently to minimise the risk of ignition.
- If smoke is emitted, switch off or unplug the appliance and keep the door closed in order to stifle any flames.
- Before placing containers/recipients/paper or plastic bags in the oven, make sure you have removed any crockery with decorations or metal handles.
- Install or position the oven in strict compliance with the installation instructions supplied.
- Eggs in their shells and whole boiled eggs should not be heated in the microwave oven as they may explode, even after the set heating time has elapsed.
- If the power cord is damaged, contact an authorised Franke support centre in order to prevent potentially hazardous situations from developing.
- Do not keep or use the appliance outdoors.
- Do not use this oven near water, in damp basements or next to swimming pools.



INSTALLATION INSTRUCTIONS

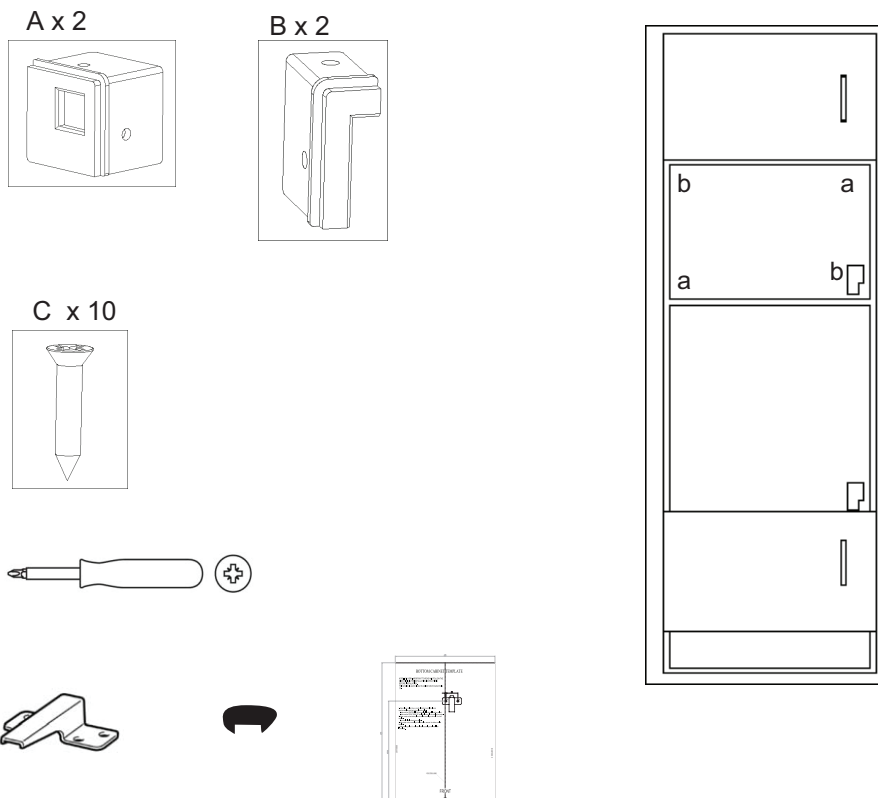
Check the appliance for damage after unpacking it, and don't connect the appliance if it has been damaged in transport.

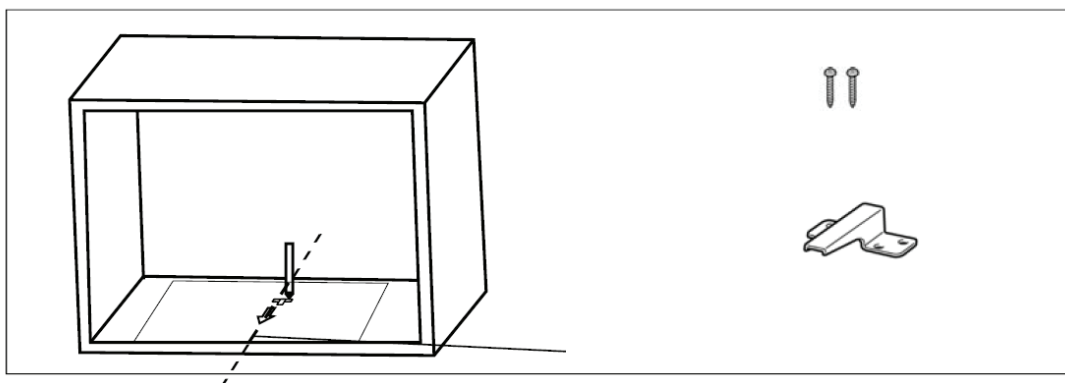
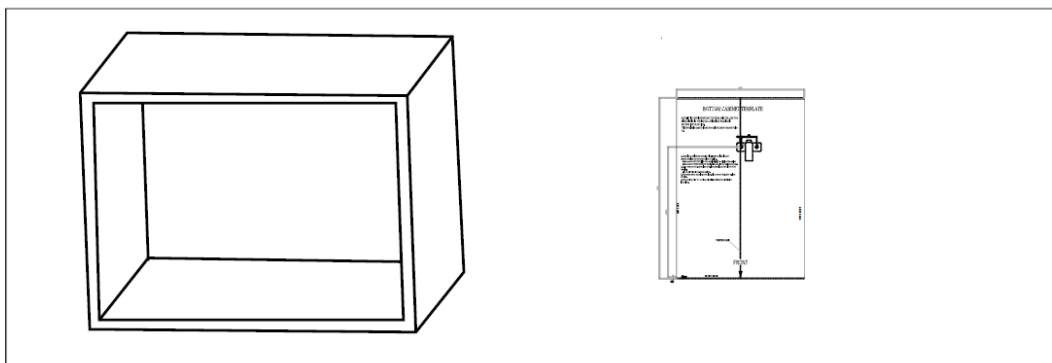
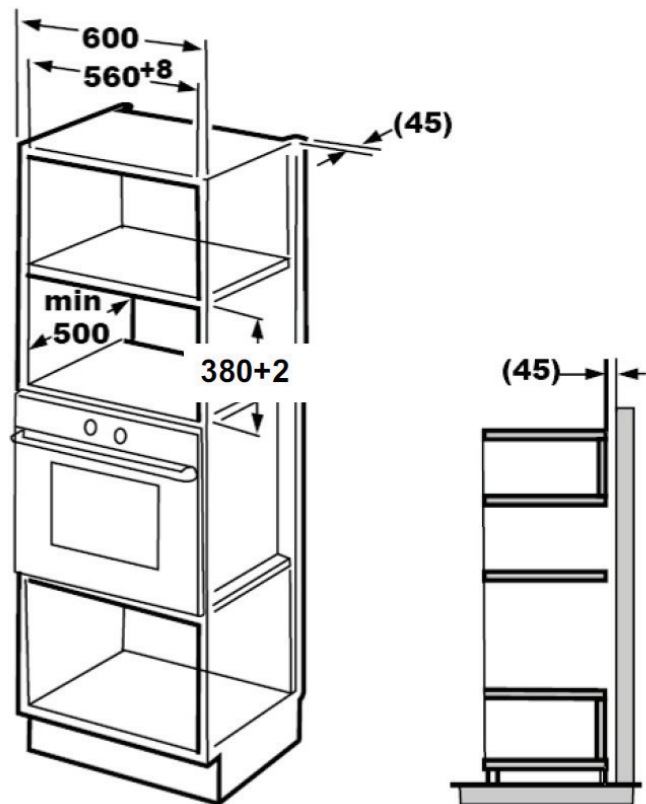
Ensure there is adequate air flow around the rear of the microwave and there is a gap between the microwave and kitchen unit.

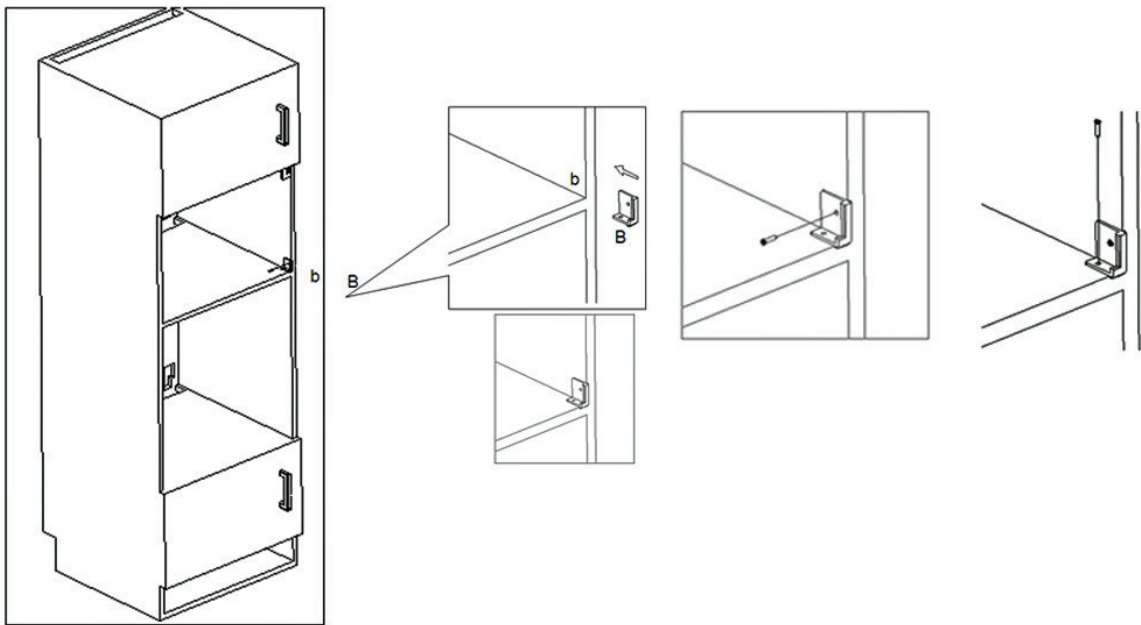
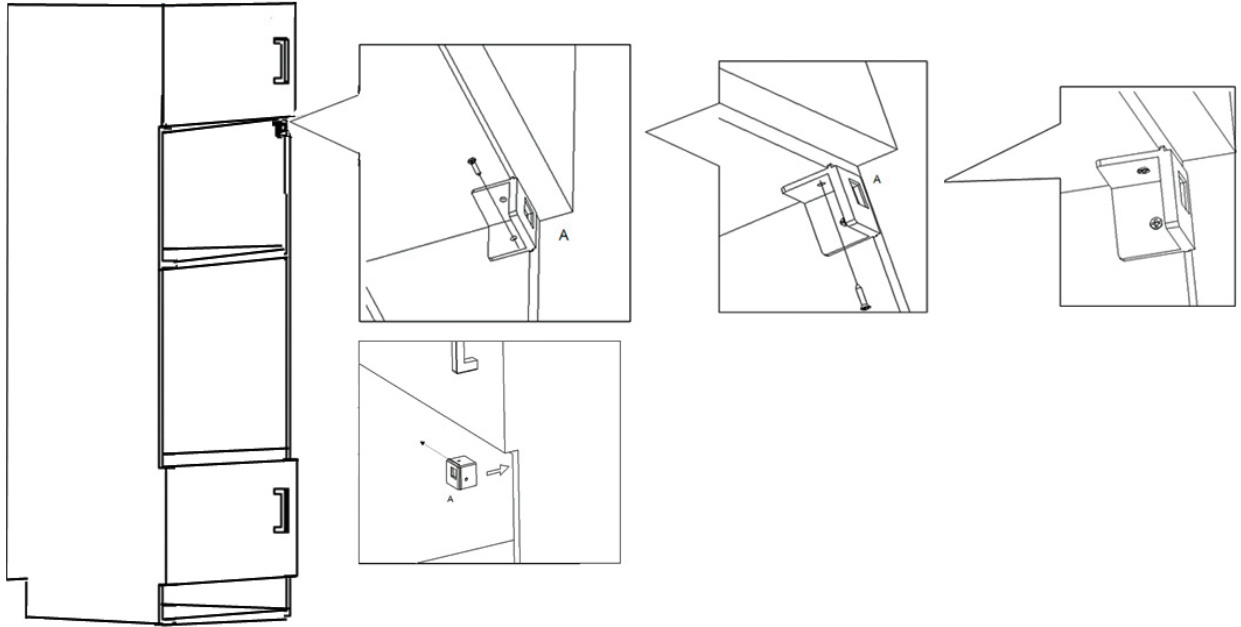
INSTALLATION AND CONNECTION

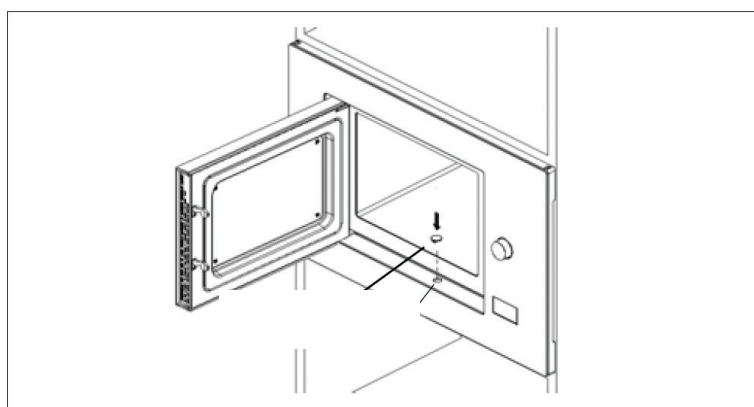
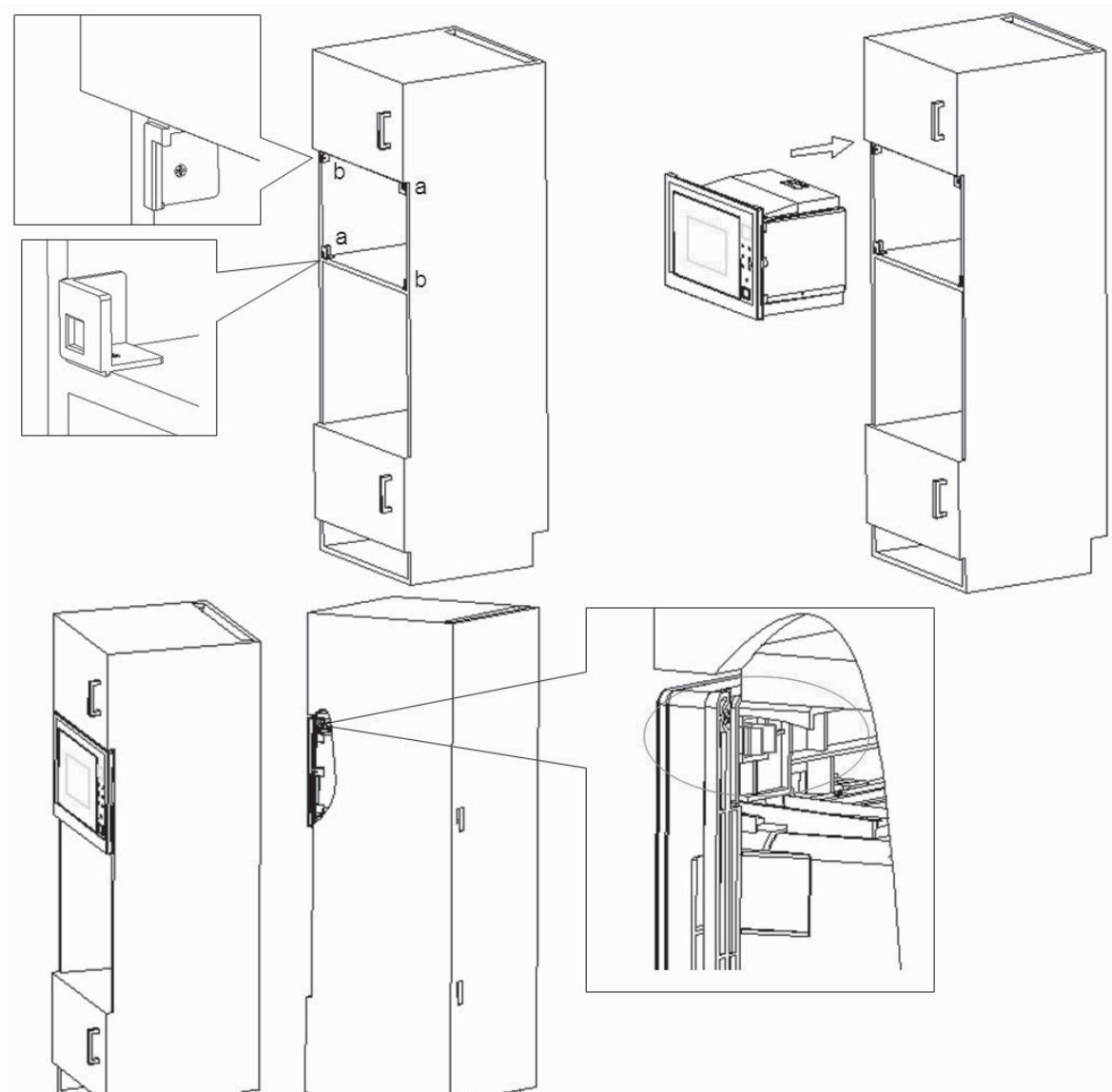
1. This appliance has been designed exclusively for domestic use.
2. The oven in question has been designed as an integrated appliance.
3. Observe the special installation instructions.
4. The appliance can be installed in a wall-mounted cupboard in heat-resistant material, with a width of 60 cm (at least 55 cm deep and at least 85 cm from the floor).
5. The appliance is fitted with a plug and simply needs to be connected to a suitably installed socket, which in turn must be earthed.
6. The mains voltage must correspond to the voltage specified on the appliance rating plate.
7. Socket installation and power cord replacement procedures must be carried out exclusively by a specialised electrician. If, after installation, the plug is no longer accessible, fit an omnipolar disconnect switch with a contact opening gap of at least 3 mm in accordance with the wiring rules.
8. Use of adapters, multi-socket power strips and extension cables is prohibited. Any current overloads could, in fact, cause a fire.

Accessible surfaces can become very hot during use.

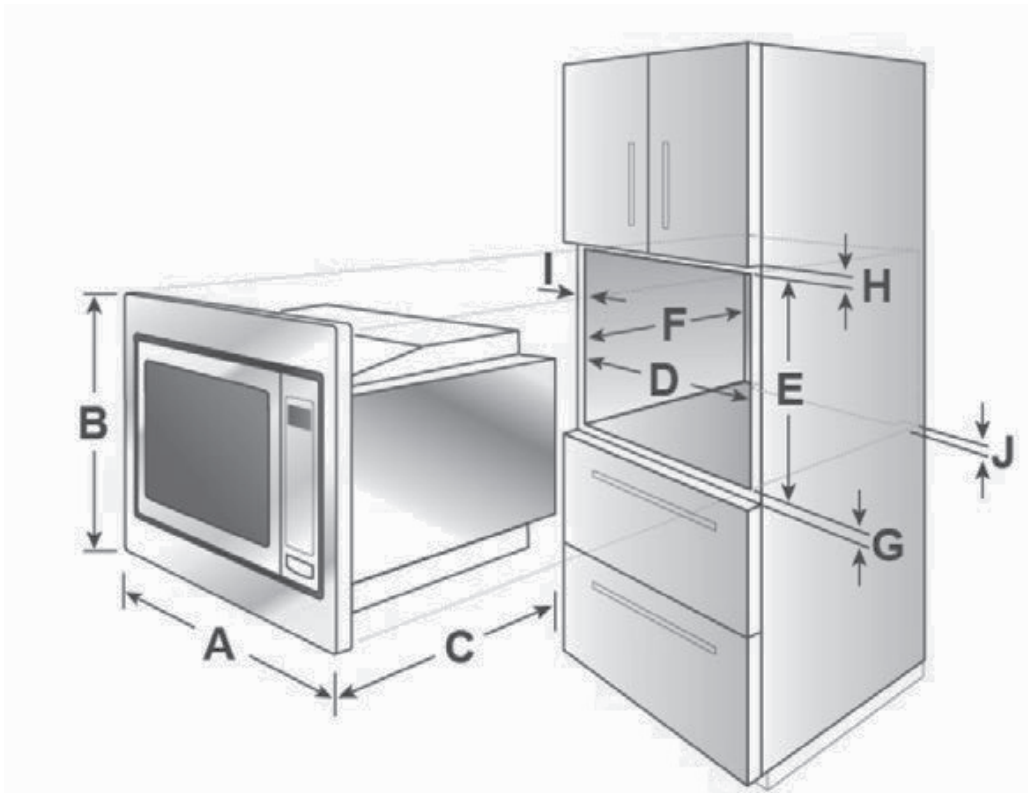








DIMENSIONS DIAGRAM



A	595mm
B	388mm
C	400mm
D	560mm
E	380mm
F	Min 500mm
G	10mm
H	10mm
I	20mm
J	45mm

DISPOSAL

Dispose of all packaging in an environmentally friendly manner. Franke practises environmentally conscious behaviour, and this appliance is labelled in accordance with the used electrical and electronic appliances waste guidelines.

If you have any questions on disposals, please call the Franke customer service team on 03 9700 9100.

CHAPTER 2



LIFE WITH YOUR FRANKE OVEN

We designed this microwave with one thing in mind.
How do we create a wonderfully simple user experience
for **you**, our customer?

SETTING THE TIME

When the microwave oven is connected to the power supply, "0:00" appears on the LED display and the acoustic signal sounds.

1. Press "Kitchen Timer/Clock" twice to select the clock setting function; the hour digits on the clock will start to flash.
2. Press one of the 2 buttons to adjust the hour digits, ensuring the numbers selected are between 0-23.
3. Press "Kitchen Timer/Clock" once; the minute digits on the clock will start to flash.
4. Press one of the 2 buttons to adjust the minute digits, ensuring the numbers selected are between 0-59.
5. Press "Kitchen Timer/Clock" once to finish setting the clock. ":" will start to flash, and the time will light up.

Note:

1. If the clock is not set, the time will not be displayed.
2. During the clock setting procedure, if "Stop/Clear" is pressed, the oven automatically

CHILD SAFETY LOCK FUNCTION

Safety lock: In standby mode, press "Stop/Clear" for 3 seconds and a long beep sounds to indicate that the child safety lock is enabled; at this point the current time is also displayed, as long as the time has been set, otherwise the LED display shows " [- -] "

Cancelling the safety lock: When the safety lock is enabled, press "Stop/Clear" for 3 seconds; a long "beep" will sound to signal that the lock has been disabled.

MICROWAVE COOKING

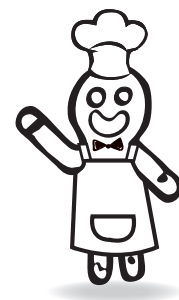
1. Press "Microwave"; "P100" will appear on the LED display.
2. Press button 1 once or choose one of the 2 buttons to select the desired power: with each touch of the button, the display changes, showing "P100", "P80", "P50", "P30" and "P10" in sequence.
3. Next, press "Start+30Sec./Confirm" 3 to confirm, and use one of the 2 buttons to set a cooking time of between 0:05 and 95:00.
4. Press "Start/+30 Sec./Confirm" 3 to start cooking.

Example: To use the microwave at 80% of its power and cook the food in question for 20 minutes, operate the oven as indicated below.

1. Press "Microwave" once; "P100" will appear on the display.
2. Press the Microwave button once again to select 80% microwave power.
3. Press "Start+30Sec./Confirm" to confirm; "P 80" will appear on the display.
4. Press one of the 2 buttons to adjust the cooking time until "20:00" appears on the display.
5. Press "Start+30Sec./Confirm" to start cooking.

"Microwave" BUTTON PERCENTAGE VALUES

Display	Microwave power
P100	100% - 900 W
P80	80% - 720 W
P50	50% - 450 W
P30	30% - 270 W
P10	10% - 90 W



GRILL OR COMBI COOKING

Press the Micro/Grill/Combi" button 1 repeatedly and the LED display will show "G", then "C-1" and then "C-2". To select G (grill) or C-1 and C-2 (combi) you can also press one of the 2 buttons. After selecting the type of cooking press "Start+30Sec./Confirm" 3 to confirm your choice, to set the cooking time press one of the 2 buttons Time selectable from 0:05 to 95:00. Press "Start+30Sec./Confirm" 3 again to start cooking.

Example: To use the microwave at 55% power and the grill (C-1) at 45% power, cooking the food in question for 10 minutes, operate

1. Press button 1 (Micro/Grill/Combi) seven times: the display will show "C-1".
2. Press "Start+30Sec./Confirm" to confirm: the display will show "C-1".
3. Press one of the 2 buttons Time selectable from 0:05 to 95:00. To increase cooking time rapidly, long-press the button.
4. Press "Start+30Sec./Confirm" to start cooking.

Grill/Combi keypad instructions



Display	Microwave power	Grill power
G	0%	100%
C-1	55%	45%
C-2	36%	64%

Note: When the oven reaches the halfway point of the set grill cooking time, the acoustic signal sounds twice. To achieve optimal cooking results with this type of cooking, turn the food half way through cooking, close the door again and press "START/ +30SEC./Confirm" again to continue cooking. Alternatively, the oven will continue cooking until the set time has elapsed.

QUICK START

Press "Start+30Sec./Confirm" 1 to start cooking at 100% power; press the button repeatedly to increase the cooking time by 30-second intervals, up to a maximum of 95 minutes.

Timer with acoustic signal (does not stop cooking)

1. Press "Kitchen Timer/Clock" once 0:00 appears on the LED display, and the timer indicator lights up.
2. Press one of the " 

Note: The timer does not display the time in the 24-hour time format, as it is an actual timer.

Stopping the cooking cycle



Cooking can be stopped at any time by pressing the STOP/CLEAR button once or opening the oven door. In both cases:

The emission of microwaves will be stopped immediately.



To restart cooking, close the door again and press the START button.

To cancel the cooking process, press the STOP/CLEAR button again.

DEFROSTING ON THE BASIS

1. Press “Weight /Time Defrost” 1 once; the LED display will show “dEF1”.
2. Press one of the “ ” 2 buttons to select the weight of the food in question, selecting a weight of between 100 and 2000 g.
3. Press “Start+30Sec./Confirm” 3 to start defrosting.

DEFROSTING ON THE BASIS OF TIME

1. Press “Weight/Time Defrost” 1 twice; the LED display will show “dEF2”.
2. Press one of the “ ” 2 buttons to select the defrosting time. The MAX time is 95 minutes.
3. Press “Start+30Sec./Confirm” 3 to start defrosting.

AUTOMATIC MENU

1. Press the button 1 to select the menu: with each touch the display will progress in sequence from “A-1” to “A-8”, indicating pizza, meat, vegetables, pasta, potatoes, fish, beverages and popcorn.
2. Press “Start+30Sec./Confirm” 2 to confirm.
3. Press one of the 3 buttons to select the default weight in accordance with the menu table.
4. Press “Start+30Sec./Confirm” 2 to start cooking.

Example: If you want to use the "Auto Menu" option to cook 350g of fish, proceed as follows.

1. Press the 1 button six times until the display shows “A-6”.
2. Press “Start+30Sec./Confirm” 2 to confirm.
3. Press the 3 button to select the weight of the fish you wish to cook, so that the display shows “350”.
4. Press “Start+30Sec./Confirm” 2 to start cooking.

AUTOMATIC MENU table of foods:

Menu	Weight	Display
A-1 Pizza-Desserts	200g	200
	400g	400
A-2 Meat	250g	250
	350g	350
	450g	450
A-3 Vegetables	200g	200
	300g	300
	400g	400
A-4 Pasta	50g (with 450ml cold water)	50
	100g (with 800l cold water)	100
A-5 Potatoes	200g	200
	400g	400
	600g	600
A-6 Fish	250g	250
	350g	350
	450g	450
A-7 Hot beverages	1 cup (120ml)	1
	2 cups (240ml)	2
	3 cups (360ml)	3
A-8 Popcorn	50g	50
	100g	100

MULTI-PHASE COOKING

Setting a combination of two different types of cooking

At least 2 cooking phases can be set. When cooking in several phases, if one is defrosting, this process will be carried out as the first phase.

The available programmes are:

MICROWAVE + GRILL/COMBI

GRILL/COMBI+ MICROWAVE

WEIGHT/DEFROST+MICROWAVE

TIME/DEFROST+MICROWAVE

TIME/DEFROST+GRILL/COMBI

AUTO-MENU cannot be selected in multi-stage cooking.

Example: If you want to defrost food for 5 minutes, then cook at 80% microwave power for 7 minutes, proceed as follows:

1. Press "Weight/Time Defrost" 1 twice and the LED display will show "dEF2"
2. Press one of the 2 buttons to select the defrost time so that the LED display shows "5:00".
3. Press "Microwave" 3 once and the display will show "P100"
4. Press "Microwave" 3 again or use the 2 buttons to select 80% microwave power.
5. Press "Start+30Sec./Confirm" 4 to confirm and the LED display will show "P 80".
6. Press one of the 2 buttons to adjust the cooking time until the LED display shows "7:00".
7. Press "Start+30Sec./Confirm" 4 to start cooking: the acoustic signal will sound once to signal the start of the first phase and the defrost time will start counting down; the acoustic signal will sound a second time as soon as the second cooking phase begins. When cooking is complete the acoustic signal will sound five times.

CHAPTER 3



GETTING THE MOST OUT OF YOUR FRANKE MICROWAVE

Getting the most out of your Franke microwave.

Your Franke microwave turns work into play,
and inspires creativity every single day.

CLEANING AND CARE

We want your Franke Appliance to be looking this good for a long time to come. To ensure that the various surfaces are not damaged through cleaning, please observe the following:

Glass: Glass cleaner and with a microfiber cloth.

Plastic: Hot soapy water with a soft cloth.

Control panel: Clean with a dish cloth and then dry with a soft cloth.

Interior enamelled surfaces: A mix of hot soapy water, vinegar and lemon juice. Wash with a dish cloth, and then allow the cooking compartment to dry.

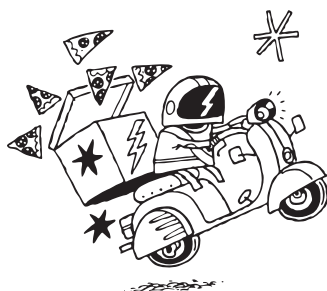
Accessories: Hot soapy water and if there are stubborn food deposits, use a stainless steel scouring pad.

Rails: Hot soapy water and a dish cloth.

Stainless steel handle: Hot soapy water and a mild stainless steel cleaning product with a soft cloth.

INTERIOR LIGHTING

If the interior lighting bulb or cover is defective for any reason or the light no longer operates, please call our service team for support.



CHAPTER 4



PROBLEM, MEET SOLUTION

We don't expect your experience with your new Franke microwave to be anything but wonderful, but here's some trouble shooting remedies just in case.

TROUBLE SHOOTING

You shouldn't have any issues with your Franke appliance, however there are some problems which can easily be fixed by trouble shooting the table below. If you can't find your problem, or the remedy has not fixed the issue, then give our friendly customer service team a call on 03 9700 9100, email info@prks.co.nz or info@prks.com.au

Problem	Cause and Remedy
Microwave oven interferes with television reception	Optimal radio and television reception may be affected while the microwave oven is in use. This interference is similar to that caused by small domestic electric appliances, such as blenders, vacuum cleaners and fans. This is an entirely normal occurrence.
Dim oven light	During microwave cooking at low power, the oven light may become dim. This is an entirely normal occurrence.
Build-up of steam on the door, hot air escaping from the air vents	During cooking, food may release steam. In particular, hot air may escape from the ventilation openings. Some steam may also build up on the oven door. This is an entirely normal occurrence.
Accidental oven activation with no food inside.	The oven must not be operated without food inside. This is actually very dangerous.
The oven will not start	Power plug not inserted properly. Make sure the oven power supply is enabled.
The oven does not heat up	Door not closed properly. Make sure there is no foreign material trapped between the door and the front of the cavity.
The glass tray makes a noise when the microwave oven is running	Build-up of dirt in the roller seat and on the bottom of the oven.
Sparks and popping noises in the oven (Electric arcs)	Plates used have metallic decorations. A metal fork or cooking utensil has been forgotten inside the oven. Too much aluminium foil is being used. A metal bag clip is being used.

CHAPTER 5



LAST BUT NOT LEAST

This section contains the warnings, precautions and legal notices to make sure everything runs smoothly.

MICROWAVE DOOR PRECAUTIONS

Never apply pressure on the microwave door when it is closed or open. Never use the microwave door as a seat or bench or apply any pressure to it while it is open. Do not place cookware or accessories on the microwave door.

Glass that has become scratched poses a risk of cracking and ultimately shattering which is a serious risk to injury. Ensure that glass scraper or any sharp objects are kept away from the oven at all times.

The hinges on the microwave door pose a threat for your hands to be trapped. Keep hands clear of the opening with operating the oven door.

ELECTRIC SHOCK HAZARD

Never carry out any repairs yourself, always get an authorized technician to do any repairs or maintenance on your oven. If any electrical components become damaged or there is exposed wiring, there is a risk of electrical shock.

Ensure whenever the oven is in operation and you come into contact with it, that appropriate footwear is worn.

PRECAUTIONS FOR AVOIDING POTENTIAL EXCESSIVE EXPOSURE TO MICROWAVE

- (a) Do not attempt to use the oven while the door is open, as operation with the door open may produce a dangerous leakage of microwaves. The safety lock must not be decommissioned or tampered with.
- (b) Do not place anything between the front part of the oven and the door and do not allow detergent residue or dirt to build up on the seals.
- (c) **IMPORTANT:** If the door or the door seals are damaged, contact an authorised Franke support centre to request repair work before using the oven again.

If the appliance is not kept clean, its surface may become tarnished and its lifespan shortened as a result, causing a potentially hazardous situation.

TECHNICAL SPECIFICATIONS

Microwave frequency:	2450 MHz
Nominal voltage:	240V~ 50Hz
Nominal absorbed input voltage (microwave):	1,450 W
Nominal output power (microwave):	900 W
Nominal input power (grill):	1,000 W
Oven capacity:	25 litres
Turntable diameter:	Ø315mm
External dimensions:	594 x 410 x 388mm
Internal dimensions:	328 x 226 x 354mm
Net weight:	19kg
Cord length:	1000mm

HAZARDS

The following is a comprehensive list of all hazards and risks this product possesses.

Risk of fire:

- Any combustible items left in or near the oven during operation
- During the pyrolytic function if large amounts of food is left inside the oven.
- Be aware of baking paper coming into contact of the heating element.

Risk of burns:

- The appliance becomes very hot. Never touch any surfaces or compartments which has been exposed to the heating elements.
- Accessories also become very hot. Use appropriate gloves and ovenware.
- Alcoholic vapours may catch fire. Never use a high quantity of alcohol in a cooking recipe.

Risk of scalding:

- Any liquid in the cooking compartment may become hot and potentially dangerous if not handled carefully.

Risk of magnetism:

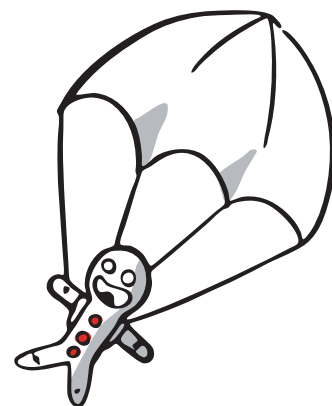
- Magnets are used during the creation and operation of the control panel.
Keep away all pace makers.

Risk of electric shock:

- The insulation and coating of oven accessories may cause electric shock if they come into contact with electrical components.

Risk of death or serious injury to human health:

- The cables and wiring harnesses at the rear of the oven must not be tampered with or come into contact with the hot appliance.
- If the appliance is not operating correctly, do not continue to operate it.
Discuss your problem with our customer service team.



GLOSSARY

Abrasive - a coarse and harsh substance capable of polishing or cleaning a surface by rubbing or grinding.

Buzzer - a device that makes a loud noise and is used to signal something.

Cabinetry - a collection of cupboards with drawers or shelves.

Circuit breaker - an automatic device for stopping the flow of current in an electrical circuit for safety reasons.

Control display - an electrical component which depicts various function on a screen, usually LED.

Food residue - a small amount of food which remains after cooking.

Heating element - converts electricity into heat through resistive current.

Insulation - protecting or shielding an object from excessive heat or moisture.

Licensed professional - a person who has had the proper training and prerequisite to complete a certain job.

Manufacturer - the person or organisation which is the original producer of a product.

Metal scraper - a single edged tool used to scrape a surface clean.

Packaging - the materials used to wrap or protect goods.

Scalding - very hot burning and blistering

Timer - used to indicate how long a process has left remaining.

Trouble shooting - finding the causes of common problems.

User experience - the overall experience of a person using a product, in terms of how easy or pleasing it is to use.

Warranty - a written guarantee promising to repair or replace a product under certain circumstances within a certain time.

