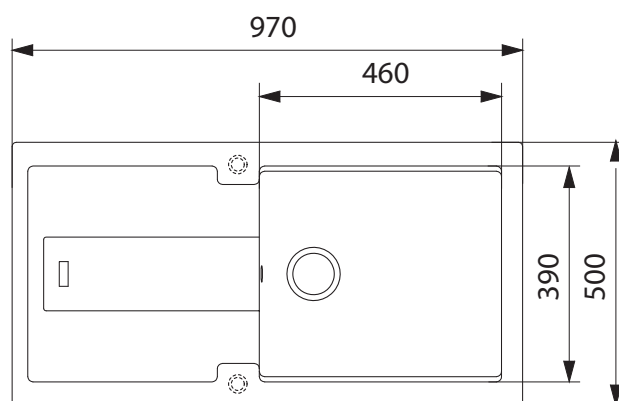


# BLG 611 ONYX BALI



## PRODUCT INFORMATION

<b>Installation</b>	Topmount
<b>Dimensions</b>	970 x 500mm
<b>Cabinet Base</b>	600mm
<b>Bowl Size</b>	460 x 390 x 180mm/32L
<b>Bowl Radius</b>	20mm
<b>Cut-Out Size</b>	950 x 480mm
<b>Cut-Out Template</b>	No
<b>Waste Outlet</b>	Semi Integrated Waste
<b>Overflow</b>	Yes
<b>Tap Holes</b>	Yes (cut out 35mm)
<b>Remote Waste</b>	Yes
<b>Finish</b>	Fragranite



**1** ACCESSORIES AVAILABLE **1** ACCESSORIES INCLUDED

## ACCESSORIES

**1**



**ST 817**  
Strainer Tray

**2**



**CB 900**  
Chopping Board

**3**



**DB 448**  
Drainer Basket

**4**



**RM 44**  
Rollamat

LAST UPDATED: 6 APRIL 2021