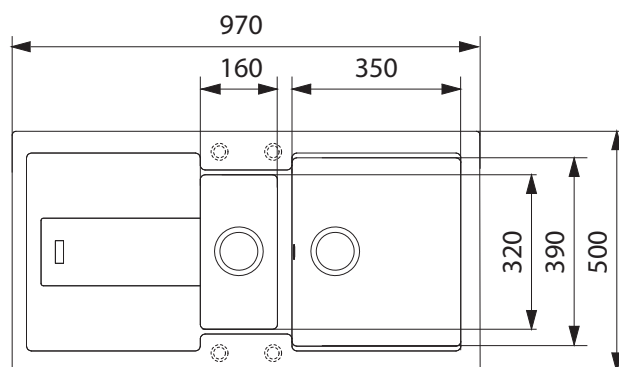


BLG 651 ONYX BALI



PRODUCT INFORMATION

Installation	Topmount
Dimensions	970 x 500mm
Cabinet Base	600mm
Bowl Size	350 x 390 x 180mm/25L 160 x 320 x 110mm/6L
Bowl Radius	20mm
Cut-Out Size	950 x 480mm
Cut-Out Template	No
Waste Outlet	Semi Integrated Waste
Overflow	Yes
Tap Holes	Yes (cut out 35mm)
Remote Waste	Yes
Finish	Fragranite



1 ACCESSORIES AVAILABLE **1** ACCESSORIES INCLUDED

ACCESSORIES

1



ST 817
Strainer Tray

2



CB 900
Chopping Board

3



DB 448
Drainer Basket

4



RM 44
Rollamat