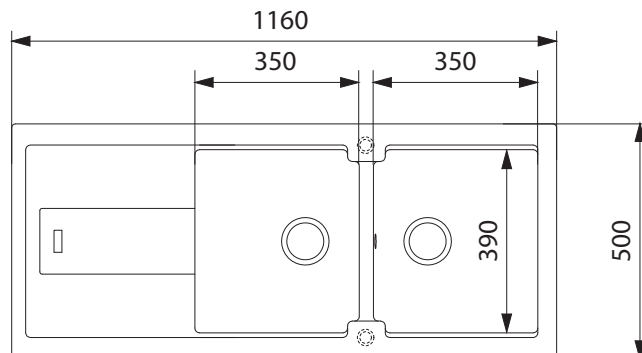


BALI

BLG621ONYX

Available in left hand drainer (LHD) and right hand drainer (RHD) configuration



PRODUCT INFORMATION

Installation	Topmount
Dimensions	1160 x 500mm
Cabinet Base	900mm
Bowl Size	350 x 390 x 180mm/25L (x2)
Bowl Radius	20mm
Cut-Out Size	1140 x 480mm
Cut-Out Template	No
Waste Outlet	Semi Integrated Waste
Overflow	Yes
Tap Holes	Yes (cut out 35mm)
Remote Waste	Yes
Finish	Fragranite
Warranty	50 Years

NOTE: Cut-out dimensions are a guide only, please use the actual sink as your template.

FEATURES & BENEFITS



Food Preparation Centre



Fragranite



Franke Overflow



Sanitized® Surface

ALL-IN ACCESSORIES (AVAILABLE)

PACK 1	Telescopic Bridge Chopping Board Small Strainer Bowl Small Storage Box Bamboo Lid
PACK 2	All Accessories Included In Pack 1 + Silicon Drainer Mat
PACK 3	All Accessories Included In Pack 2 + Large Strainer Bowl + Storage Container

ADDITIONAL ACCESSORIES

— Included Accessory
- - - Available Accessory



DB448
Drainer Basket



RM44
Rollamat

BARE SINK OPTION AND SOME SINK & TAP PACKAGES DO NOT INCLUDE ACCESSORIES. PLEASE CHAT TO YOUR SALES CONSULTANT FOR FURTHER INFORMATION.

LAST UPDATED: 14 AUG 2024

