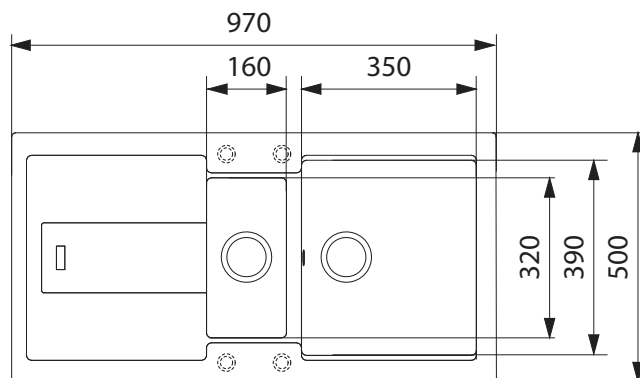


# BALI

## BLG651ONYX

Available in left hand drainer (LHD) and right hand drainer (RHD) configuration



### PRODUCT INFORMATION

<b>Installation</b>	Topmount
<b>Dimensions</b>	970 x 500mm
<b>Cabinet Base</b>	600mm
<b>Bowl Size</b>	350 x 390 x 180mm/25L 160 x 320 x 110mm/6L
<b>Bowl Radius</b>	20mm
<b>Cut-Out Size</b>	950 x 480mm
<b>Cut-Out Template</b>	No
<b>Waste Outlet</b>	Semi Integrated Waste
<b>Overflow</b>	Yes
<b>Tap Holes</b>	Yes (cut out 35mm)
<b>Remote Waste</b>	Yes
<b>Finish</b>	Fragranite
<b>Warranty</b>	50 Years

**NOTE:** Cut-out dimensions are a guide only, please use the actual sink as your template.

### FEATURES & BENEFITS



Food Preparation Centre



Fragranite



Franke Overflow



Sanitized® Surface

### ALL-IN ACCESSORIES (AVAILABLE)

<b>PACK 1</b>					
	Telescopic Bridge	Chopping Board	Small Strainer Bowl	Small Storage Box	Bamboo Lid
<b>PACK 2</b>	All Accessories Included In Pack 1				
			Silicon Drainer Mat		
<b>PACK 3</b>	All Accessories Included In Pack 2				
			Large Strainer Bowl	Storage Container	

### ADDITIONAL ACCESSORIES

— Included Accessory  
- - - Available Accessory



**DB448**  
Drainer Basket



**RM44**  
Rollamat

BARE SINK OPTION AND SOME SINK & TAP PACKAGES DO NOT INCLUDE ACCESSORIES. PLEASE CHAT TO YOUR SALES CONSULTANT FOR FURTHER INFORMATION.

LAST UPDATED: 14 AUG 2024

