

TECHNICAL DATASHEET

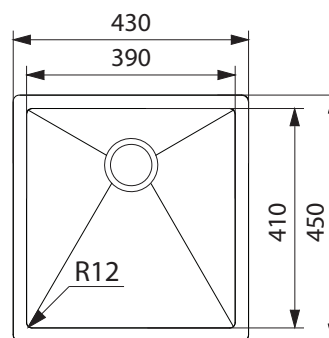
PLANAR PZX 210-39 R12

Product Category	Sinks
Finish	Stainless Steel
Installation	Inset/Flushmount/Undermount
Range	PLANAR
Model	PZX 210-39 R12
Warranty	50 Years



PRODUCT INFORMATION

Article Number	
Dimensions	430 x 450mm
Cabinet Base	500mm
Bowl Size	390 x 410 x 200mm
Bowl Radius	12mm
Cut-Out Size	Template
Cut-Out Template	Yes
Waste Outlet	Semi Integrated Waste
Overflow	No
Tap Holes	No
Remote Waste	No
Opposite Configuration	N/A
Accessories	1 2 3 4



1 ACCESSORIES AVAILABLE **1** ACCESSORIES INCLUDED

ACCESSORIES

1



CB 931
Chopping Board

2



DB 664
Drainer Basket

3



DT 651
Extension Drainer

4



RM 44
Rollamat

FEATURES & BENEFITS



18/10
Stainless
Steel



Waste to
Rear of
Main Bowl



Sound
Deadening
Pads



Flushmount
Fit

Make
it
Wonderful

FRANKE