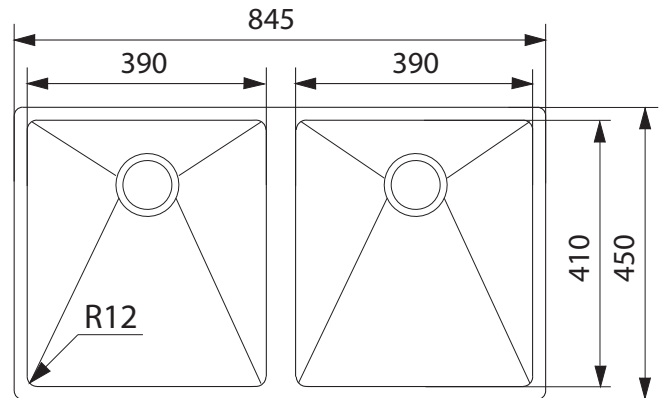


# PLANAR

PZX220-39



## PRODUCT INFORMATION

<b>Installation</b>	Topmount/Flushmount/Undermount
<b>Dimensions</b>	845 x 450mm
<b>Cabinet Base</b>	900mm
<b>Bowl Size</b>	390 x 410 x 200mm/32L (x2)
<b>Bowl Radius</b>	12mm
<b>Cut-Out Size</b>	Template
<b>Cut-Out Template</b>	Yes
<b>Waste Outlet</b>	Semi Integrated Waste
<b>Overflow</b>	No
<b>Tap Holes</b>	No
<b>Remote Waste</b>	No
<b>Finish</b>	Stainless Steel
<b>Warranty</b>	50 Years

## ACCESSORIES

— Included Accessory  
- - - Available Accessory



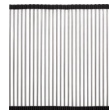
**CB931**  
Chopping Board



**DB664**  
Drainer Basket



**DT360**  
Extension Drainer



**RM44**  
Rollamat

**NOTE:** Cut-out dimensions are a guide only, please use the actual sink as your template.

## FEATURES & BENEFITS



Food Preparation Centre



18/10 Stainless Steel



Sound Deadening Pads



Waste To Rear Of Bowl



Flushmount Finish



Franke Bowl Insulation

BARE SINK OPTION AND SOME SINK & TAP PACKAGES DO NOT INCLUDE ACCESSORIES. PLEASE CHAT TO YOUR SALES CONSULTANT FOR FURTHER INFORMATION.

LAST UPDATED: 15 OCTOBER 2021

**FRANKE**