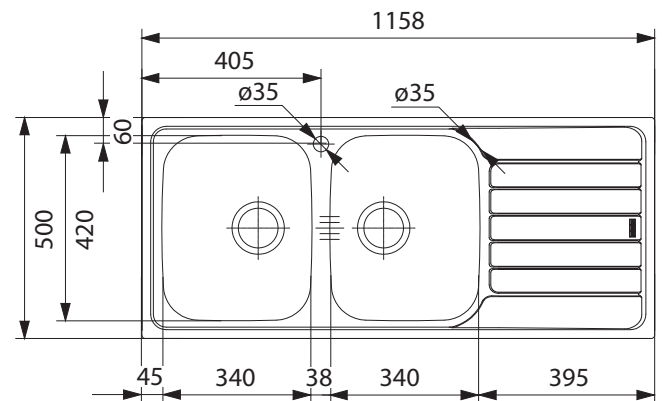


SPARK

SKX621RHD



PRODUCT INFORMATION

Installation	Topmount
Dimensions	1158 x 500mm
Cabinet Base	800mm
Bowl Size	340 x 420 x 150mm/20L (x2)
Bowl Radius	50mm
Cut-Out Size	1140 x 480mm
Cut-Out Template	No
Waste Outlet	Semi Integrated Waste
Overflow	No
Tap Holes	Yes (cut out 35mm)
Remote Waste	No
Finish	Stainless Steel
Warranty	50 Years

NOTE: Cut-out dimensions are a guide only, please use the actual sink as your template.

ACCESSORIES

— Included Accessory
- - - Available Accessory



DB664
Drainer Basket

- - -



CB932
Chopping Board

- - -



PK205
Eco Plumbing Kit

- - -

BARE SINK OPTION AND SOME SINK & TAP PACKAGES DO NOT INCLUDE ACCESSORIES. PLEASE CHAT TO YOUR SALES CONSULTANT FOR FURTHER INFORMATION.

LAST UPDATED: 15 OCTOBER 2021

FRANKE