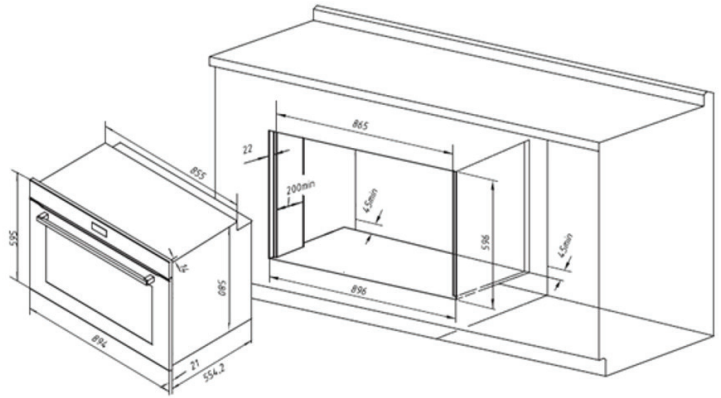


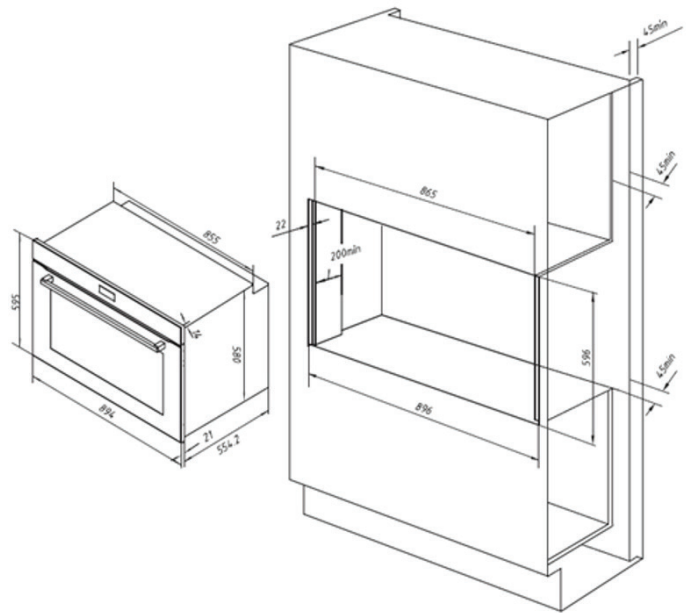
# 90CM 14 FUNCTION OVEN

FCE90M14B3



## PRODUCT INFORMATION

<b>Overall Dimensions (mm)</b>	894(W) x 595(H) x 575(D)
<b>Capacity</b>	133L Net
<b>Oven Functions</b>	14
<b>Pyrolytic Function</b>	No
<b>Power</b>	220-240V, 50Hz/60Hz, max 2000W
<b>Display</b>	White LCD Display
<b>Control Interface</b>	Touch Control
<b>Oven Door</b>	Triple Glaze
<b>Lighting</b>	Single
<b>Child Lock</b>	Yes
<b>Soft Close</b>	No
<b>Finish</b>	Black Glass
<b>Accessories</b>	Telescopic Runner Set x 1 Wire Racks x 2 Baking Tray with Wire Rack x 1
<b>Warranty</b>	2 Years



**PLEASE NOTE:** Technical and product specifications may change; therefore, cut-outs for appliances should only be by physical product measurements. The above information is indicative only.

LAST UPDATED: 09 JULY 2024