

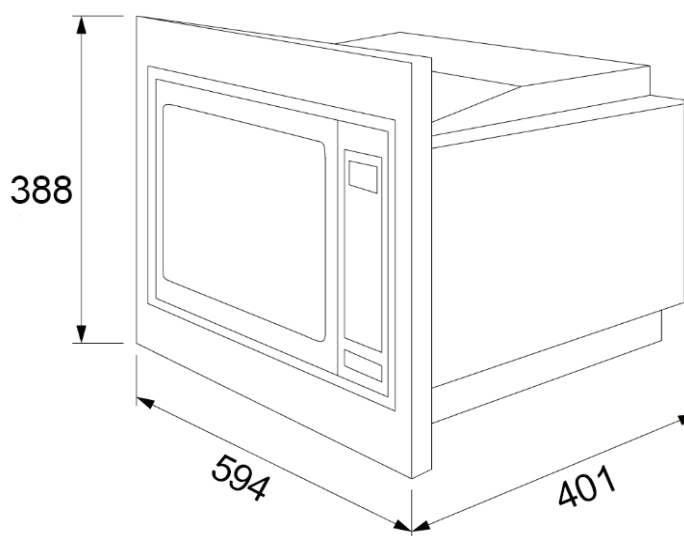
# FCMWS25B1

## COMBINATION MICROWAVE



### PRODUCT INFORMATION

<b>Overall Dimensions (mm)</b>	594(W) x 388(H) x 401(D)
<b>Capacity</b>	25L Net
<b>Functions</b>	5 Microwave Power Levels 3 Grill Functions 8 Automatic Menu Functions
<b>Power</b>	230-240V 50Hz, 1900W Max
<b>Display</b>	White LCD Display
<b>Control Interface</b>	Touch Controls
<b>Lighting</b>	Single
<b>Installation Type</b>	Built-In
<b>Max. Microwave Power</b>	900W
<b>Installation Type</b>	Built In
<b>Child Lock</b>	Yes
<b>Finish</b>	Black Glass
<b>Accessories</b>	Short Grill Rack x 1 Turntable x 1
<b>Warranty</b>	2 Years



**PLEASE NOTE:** Technical and product specifications may change; therefore, cut-outs for appliances should only be by physical product measurements. The above information is indicative only.

LAST UPDATED: 11 OCT 2019