

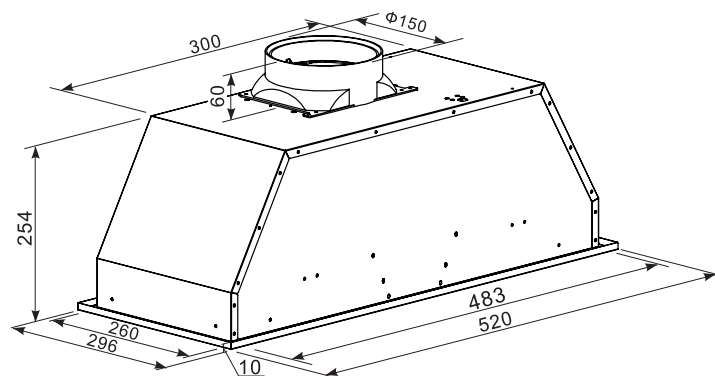
FCUH52XSAU

52CM UNDERCUPBOARD RANGEHOOD



PRODUCT INFORMATION

Overall Dimensions (mm)	520(W) x 254(H) x 296(D)
Cut-Out Dimensions (mm)	490(W) x 265(D)
Power	220-240V 50Hz, 384W max
Number of Fan Speeds	3
Control Interface	Slide Control
Noise Level	73dB
Lighting	Twin LED
Air Outlet	ø150mm
Filter	1x 5 Layer Aluminum Mesh Filter (Dishwasher Safe)
Air Flow	930m ³ /h
Finish	Stainless Steel Trim
Warranty	2 Years



PLEASE NOTE: Technical and product specifications may change; therefore, cut-outs for appliances should only be by physical product measurements. The above information is indicative only.

LAST UPDATED: 24 JUNE 2020