

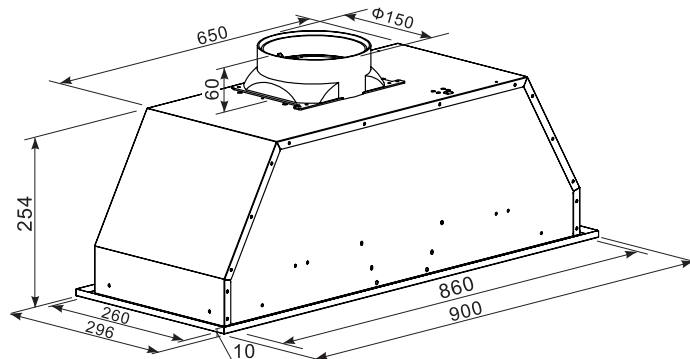
FCUH90XSAU

90CM UNDERCUPBOARD RANGEHOOD



PRODUCT INFORMATION

| | |
|--------------------------------|---|
| Overall Dimensions (mm) | 900(W) x 254(H) x 296(D) |
| Cut-Out Dimensions (mm) | 865(W) x 265(D) |
| Power | 220-240V 50Hz, 384W max |
| Number of Fan Speeds | 3 |
| Control Interface | Slide Control |
| Noise Level | 73dB |
| Lighting | Twin LED |
| Air Outlet | ø150mm |
| Filter | 3 x 5 Layer Aluminum Mesh Filters (Dishwasher Safe) |
| Air Flow | 980m ³ /h |
| Finish | Stainless Steel Trim |
| Warranty | 2 Years |



PLEASE NOTE: Technical and product specifications may change; therefore, cut-outs for appliances should only be by physical product measurements. The above information is indicative only.

LAST UPDATED: 24 JUNE 2020