



Franke Fresno FSG611-8CG Sink

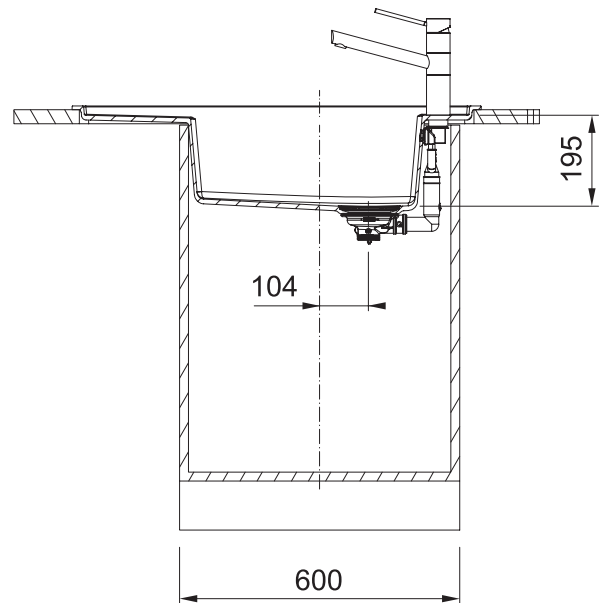
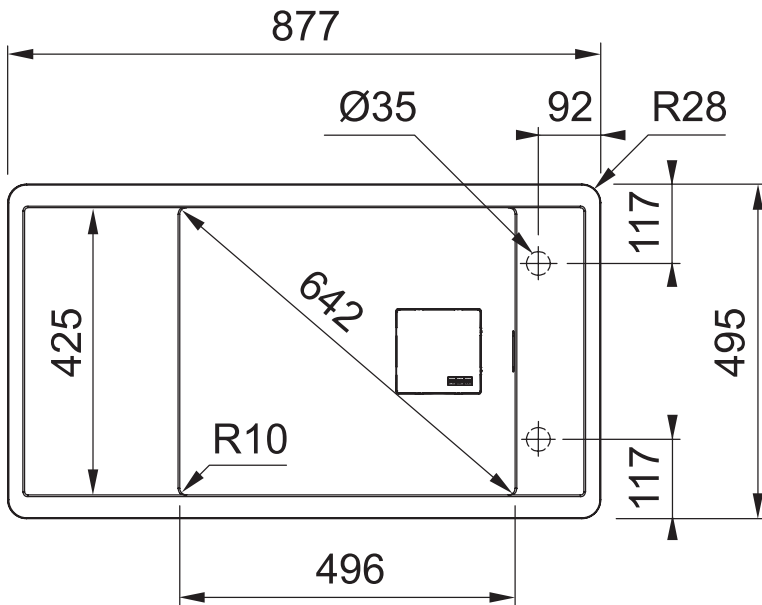
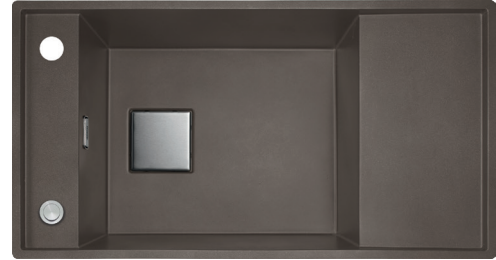
SPECIFICATIONS

| | |
|----------------------|------------------------------|
| Recommended Use | Domestic, Hotel & Commercial |
| Material | Fragranite |
| Bowl Type | Single Bowl |
| Bowl Configuration | Drainer |
| Sink Installation | Topmount Sink |
| Minimum Cabinet Size | 600mm |
| Waste Type | Semi Integrated Waste |
| Overflow | Yes |
| Sink Formation | Composite |
| Taphole | 1 x Tap & 1 x Remote Waste |
| Product Template | Please see PDF instructions |

WARRANTY

| | |
|-------------------------|-----------|
| Warranty - Domestic Use | 50 Years |
| Spare Parts & Labour | 12 Months |

Please refer to Warranty Page for full Terms and Conditions



Dimensions are nominal measurements only.

Disclaimer: Products in this specification manual must by regulation be installed by licensed and registered trade people. The manufacturer/distributor reserves the right to vary specifications or delete models from their range without prior notification. Dimensions are nominal measurements only. Dimensions and set-outs listed are correct at time of publication however the manufacturer/distributor takes no responsibility for printing errors.

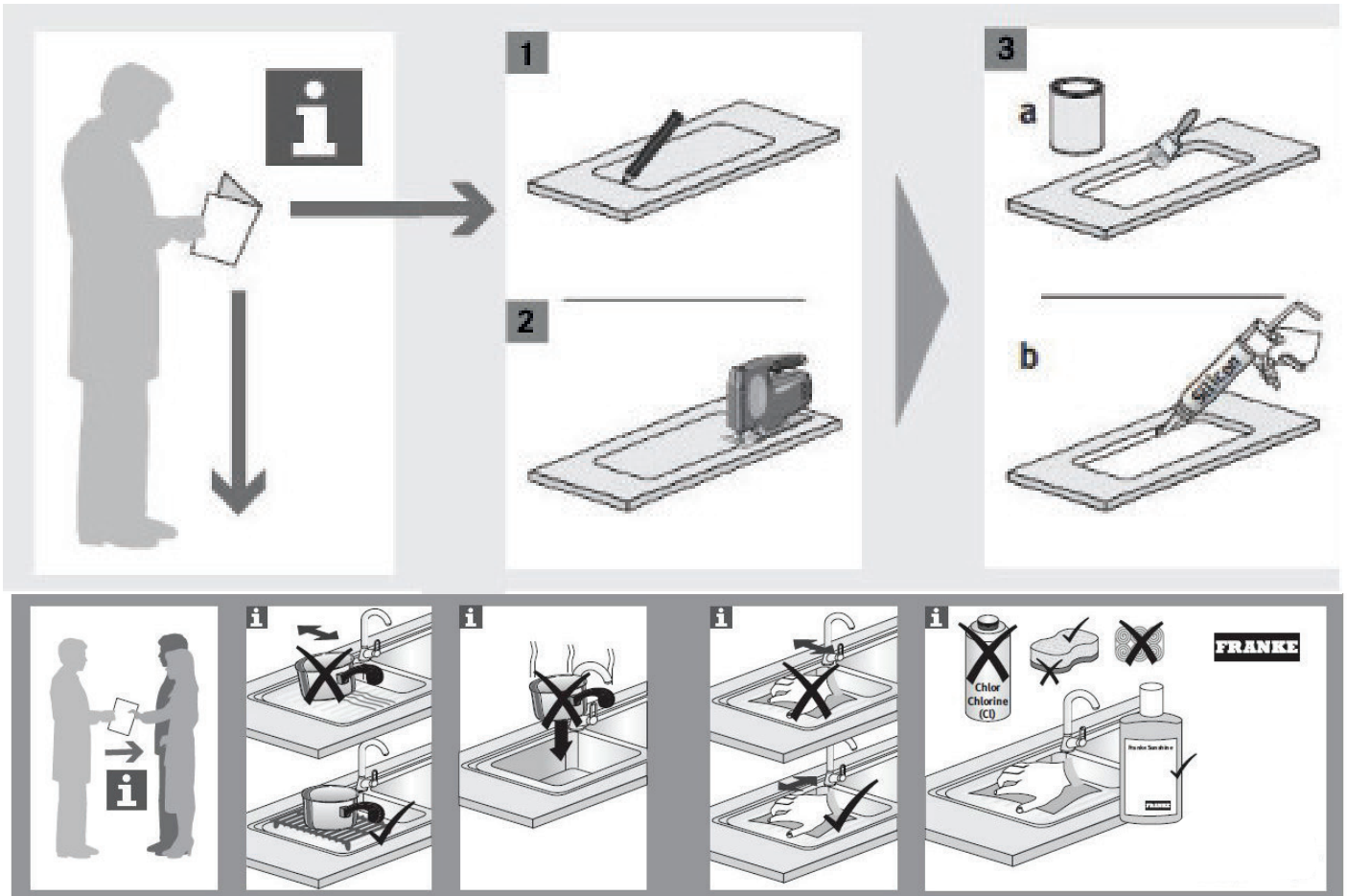
Published 26/03/2024





Franke Fresno FSG611-88CG Sink

INSTALLATION INSTRUCTIONS



Please note: Top mount only. No install clips required. Please do a bead of silicone and push down firmly.

Dimensions are nominal measurements only.

Disclaimer: Products in this specification manual must by regulation be installed by licensed and registered trade people. The manufacturer/distributor reserves the right to vary specifications or delete models from their range without prior notification. Dimensions are nominal measurements only. Dimensions and set-outs listed are correct at time of publication however the manufacturer/distributor takes no responsibility for printing errors.

Published 26/03/2024

