

Franke Flash FLX 621 Double Left Hand Bowl Topmount Sink Stainless Steel

2008346

SPECIFICATIONS

Recommended Use	Domestic, Hotel & Commercial
Plug & Waste	Basket Waste with Cover
Bowl Type	Double Bowl
Bowl Configuration	Double Bowl with Drainer
Bowl Divider	Full Height
Mounting	Topmount
Overflow Configuration	-
Taphole Configuration	1 - Drilled
Sink Colour	Stainless Steel
Finish	Satin
Material	Stainless Steel (304 Grade)
Plug & Waste Size	90mm

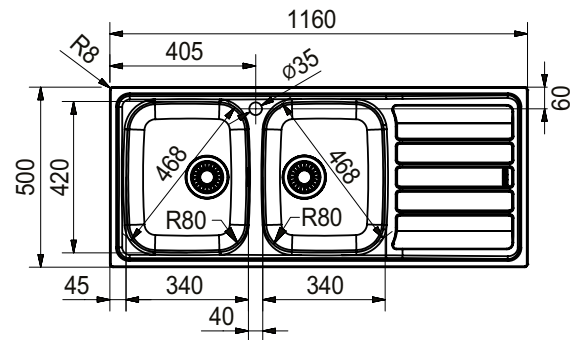
WARRANTY

Warranty - Domestic Use	50 Years - Replacement Only
Warranty - Commercial Use	12 Months - Replacement Only
Spare Parts (Plug and waste, clips)	12 Months - Parts and Labour

Please refer to Warranty Page for full Terms and Conditions

NOTE

Sinks must be installed using an instruction manual. No responsibility will be taken for damage that occurs where an instruction manual has not been used.



CLEANING RECOMMENDATIONS:

We recommend the use of soapy water or approved cleaners. This product should not be cleaned with abrasive materials. Damage caused by any improper treatment is not covered by the product warranty. Refer to Warranty Conditions.

To see the complete Franke range go to www.reece.com.au