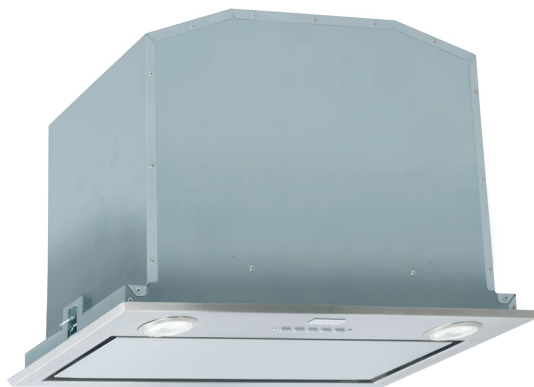


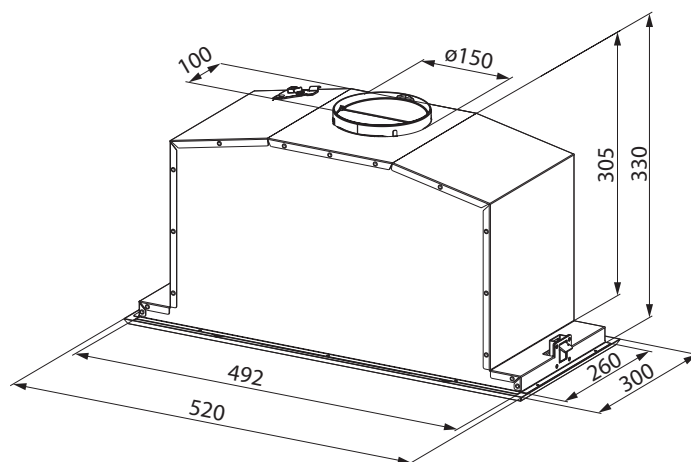
FBI537XSAU

52CM UNDERCUPBOARD RANGEHOOD



PRODUCT INFORMATION

Recommended Use	Domestic
Overall Dimensions (mm)	520(W) x 300(D) x 330(H)
Weight	7.7 Kg
Power	220-240V 50/60Hz, 252W Max
Plug	Plug with 3 Pins
Airflow	690m ³ /h
Speeds	3 plus Boost
Noise Level	50dB
Lighting	LED x 2
Controls	Soft Touch Buttons
Filter	Aluminum Mesh (Dishwasher Safe)
Recirculating Option	Yes
Finish	Stainless Steel



PLEASE NOTE: Technical and product specifications may change; therefore, cut-outs for appliances should only be by physical product measurements. The above information is indicative only.

LAST UPDATED: 11 OCT 2019