

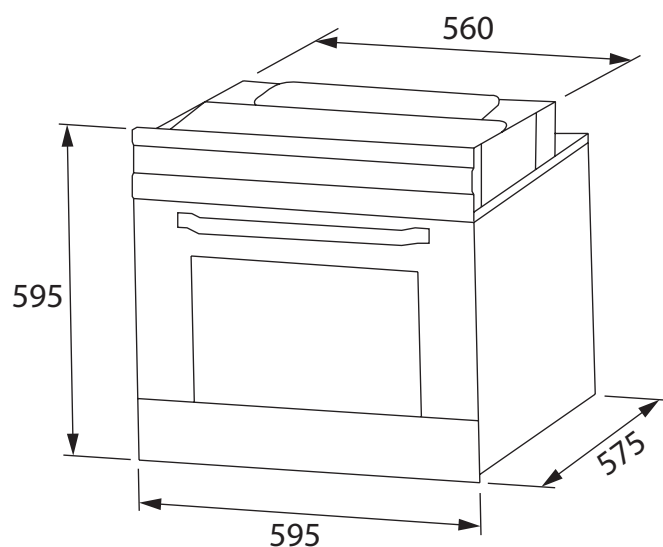
FRE60P10B

60CM PYROLYTIC OVEN



PRODUCT INFORMATION

Recommended Use	Domestic
Dimensions (mm)	595(W) x 595(H) x 575(D)
Cavity Size	70L Net
Weight	41.8 Kg
Functions	10
Source	Electrical
Power	220-240V 50/60Hz, 3200W Max
Power Cord	Hard Wired, 1400mm Length
Temperature Range	50° - 250° C (450° C Pyro)
Control Interface	Push In & Out Control Knobs x 2
Display	Red LED
Oven Door	Quadruple Glazed
Lighting	Single
Child Lock	Yes
Timer	Digital Timer
Convection Fan	Yes
Cooling Fan	Yes
Shelf Rack	2
Accessories	Baking Pan x 1 Telescopic Runner Set x 2
Finish	Black Glass



PLEASE NOTE: Technical and product specifications may change; therefore, cut-outs for appliances should only be by physical product measurements. The above information is indicative only.

LAST UPDATED: 11 OCT 2019