

Commercial Paper Towel Dispenser And Waste Bin Combi Stainless Steel

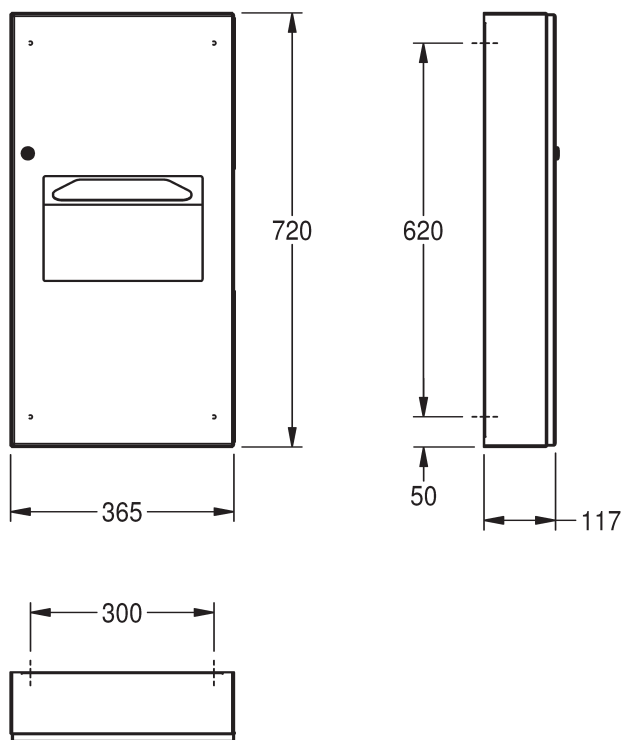
SPECIFICATIONS

Recommended Use	Domestic, commercial
Colour	Stainless steel
Material	Stainless steel - satin finish
Material thickness	1.2 & 0.80mm
Dimensions (mm)	365(W) x 720(H) x 117(D)
Weight	11kg gross, 9.8kg net
Mounting Type	Wall mount
Fixing	Stainless steel screws and dowels (supplied)
Capacity	400-500 paper towels (dispenser) 6.5L (bin)
Operation Type	Manual - Franke standard key

WARRANTY

Warranty - Domestic Use	5 Years
Spare Parts & Labour	5 Years replacement only

Please refer to Warranty Page for full Terms and Conditions



To see the complete Franke range go to www.reece.com.au/bathrooms

Dimensions are nominal measurements only.

CLEANING RECOMMENDATIONS

We recommend the use of soapy water or approved cleaners. This product should not be cleaned with abrasive materials.

Damage caused by improper treatment is not covered the the product warranty. Refer to warranty conditions.

We recomend the use of soapy water or approved cleaner

Disclaimer: Products in this specification manual must by regulation be installed by licensed and registered trade people. The manufacturer/distributor reserves the right to vary specifications or delete models from their range without prior notification. Dimensions are nominal measurements only. Dimensions and set-outs listed are correct at time of publication however the manufacturer/distributor takes no responsibility for printing errors.

Published 18/10/2019