

# TECHNICAL DATASHEET

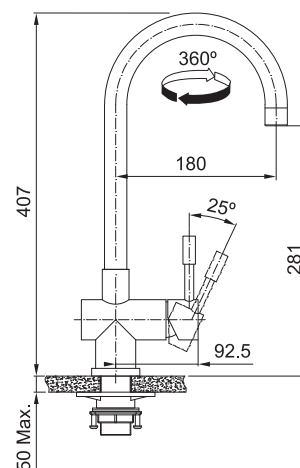
LEDA TA 9540

Product Category	Taps
Finish	Stainless Steel
Range	LEDA
Model	TA 9540
Warranty	15 Years



## PRODUCT INFORMATION

Article Number	115.0527.951
Style	Swivel
Cut-Out Size	Ø 35mm
WELS	4 star / 7.5 Lpm Reg No: T32732
Min. (PSI)	7.25
Max. (PSI)	72.5
Min. (kPa)	50kPa
Max. (kPa)	500kPa



## PLEASE NOTE

Large and heavy taps should ideally be mounted directly through the solid benchtop or fully supported from underneath. For all other swivel taps, we recommend the use of the Franke Tap Support Arm to provide additional support. Please ensure all Franke tapware is installed at a pressure of no greater than 500 kPa in accordance with AS/NZS3500 and insist that your plumber flushes all of the water supply lines before installing tapware. Failure to do so may void warranty.

LAST UPDATED: 18 JAN 2019

Make  
it  
Wonderful

**FRANKE**