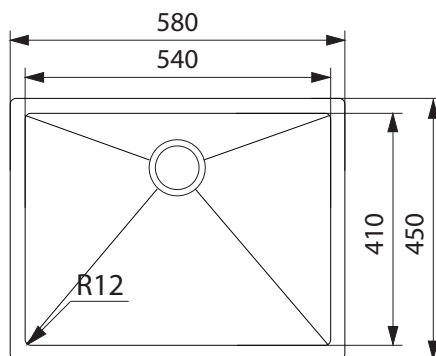


PZX 210-54 R12
PLAZA



PRODUCT INFORMATION

Installation	Topmount/Flushmount/Undermount
Dimensions	580 x 450mm
Cabinet Base	600mm
Bowl Size	540 x 410 x 200mm/44L
Bowl Radius	12mm
Cut-Out Size	Template
Cut-Out Template	Yes
Waste Outlet	Semi Integrated Waste
Overflow	No
Tap Holes	No
Remote Waste	No
Finish	Stainless Steel



1 ACCESSORIES AVAILABLE **1** ACCESSORIES INCLUDED

ACCESSORIES

1



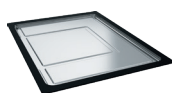
CB 931
Chopping Board

2



DB 664
Drainer Basket

3



DT 360
Extension Drainer

LAST UPDATED: 25 FEB 2020