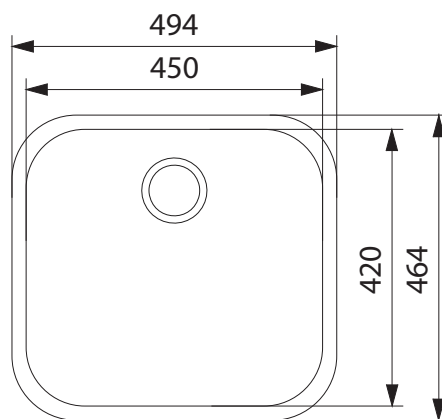


SSX 210-45
SEVILLE



PRODUCT INFORMATION

Installation	Topmount/Undermount
Dimensions	494 x 464mm
Cabinet Base	600mm
Bowl Size	450 x 420 x 200mm/38L
Bowl Radius	65mm
Cut-Out Size	Template
Cut-Out Template	Yes
Waste Outlet	Semi Integrated Waste
Overflow	No
Tap Holes	No
Remote Waste	No
Finish	Stainless Steel



1 ACCESSORIES AVAILABLE **1** ACCESSORIES INCLUDED

ACCESSORIES

1



CB 523
Chopping Board

2



DB 664
Drainer Basket

3



DT 651
Extension Drainer

LAST UPDATED: 25 FEB 2020