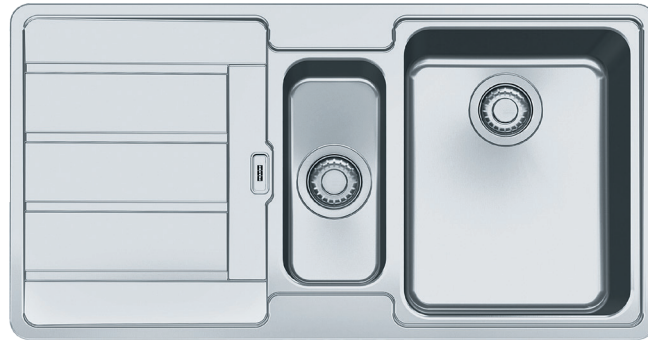


TECHNICAL DATASHEET

HYDROS HDX 654 LHD

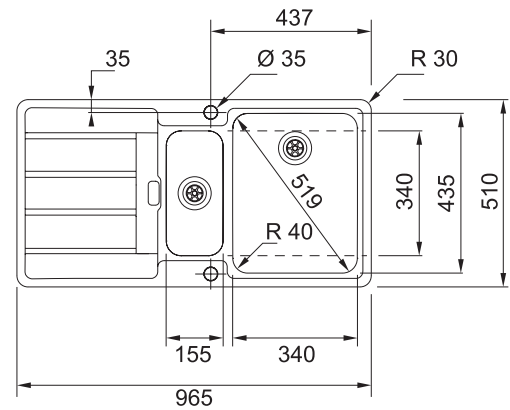
SINK ONLY

Product Category	Sinks
Finish	Stainless Steel
Installation	Inset
Range	HYDROS
Model	HDX 654 LHD
Warranty	50 Years



PRODUCT INFORMATION

Dimensions	965 x 510mm
Cabinet Base	600mm
Bowl Size	340 x 435 x 175 mm/27 L 155 x 340 x 120 mm/7 L
Bowl Radius	40mm
Cut-Out Size	949 x 494 mm, cr=20
Cut-Out Template	No
Waste Outlet	Semi Integrated Waste
Overflow	Yes
Tap Holes	Yes (cut out 35mm)
Remote Waste	No
Accessories	1 2 3



1 ACCESSORIES AVAILABLE **1** ACCESSORIES INCLUDED

ACCESSORIES

1



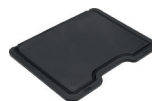
DB 664
Drainer Basket

2



SB 981
Strainer Bowl

3



CB 156
Chopping Board

FEATURES & BENEFITS



Make
it
Wonderful

LAST UPDATED: 9 JUNE 2016

FRANKE