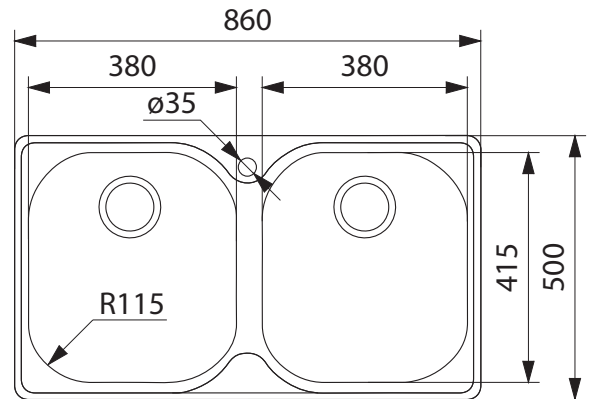


AURORA

PFX620B



PRODUCT INFORMATION

Installation	Topmount/Undermount
Dimensions	860 x 500mm
Cabinet Base	900mm
Bowl Size	380 x 415 x 180mm/26L (x2)
Bowl Radius	115mm
Cut-Out Size	Template
Cut-Out Template	Yes
Waste Outlet	Semi Integrated Waste
Overflow	No
Tap Holes	$\varnothing 35$ mm
Remote Waste	No
Finish	Stainless Steel
Warranty	50 Years

ACCESSORIES

— Included Accessory
- - - Available Accessory



DB425
Drainer Basket



DT206
Extension Drainer



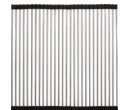
SB177
Strainer Bowl



CB173
Chopping Board



CB523
Chopping Board



RM44
Rollamat

NOTE: Cut-out dimensions are a guide only, please use the actual sink as your template.

FEATURES & BENEFITS



Food Preparation Centre



18/10 Stainless Steel



Sound Deadening Pads



Laser Edge Profile

BARE SINK OPTION AND SOME SINK & TAP PACKAGES DO NOT INCLUDE ACCESSORIES. PLEASE CHAT TO YOUR SALES CONSULTANT FOR FURTHER INFORMATION.

LAST UPDATED: 21 SEPTEMBER 2021

FRANKE