

# TECHNICAL DATASHEET

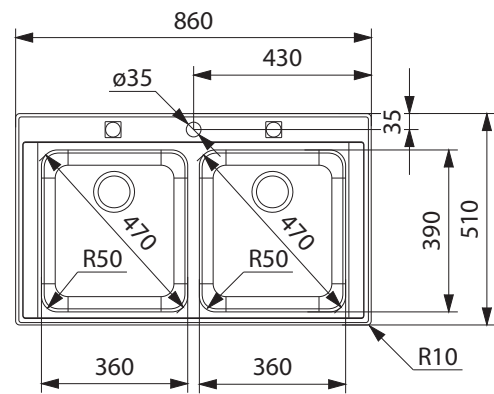
EPOS EOX 220/HW

Product Category	Sinks
Finish	Stainless Steel
Installation	Inset/Flushmount
Range	EPOS
Model	EOX 220/HW
Warranty	50 Years



## PRODUCT INFORMATION

Article Number	127.0189.161
Dimensions	860 x 510mm
Cabinet Base	800mm
Bowl Size	360 x 390 x 175mm/24L (x2)
Bowl Radius	50mm
Cut-Out Size	Inset: 849 x 499mm, cr=10 Flushmount: utilise DXF file
Cut-Out Template	Yes
Waste Outlet	Hygienic Integrated Waste
Overflow	Yes
Tap Holes	Yes (cut out 35mm)
Remote Waste	Yes
Opposite Configuration	-
Accessories	<b>1</b> <b>2</b> <b>3</b> <b>4</b> <b>5</b>



**1** ACCESSORIES AVAILABLE    **1** ACCESSORIES INCLUDED

## ACCESSORIES

- 1**  
  
**CB 124**  
 Chopping Board
- 2**  
  
**SB 491**  
 Strainer Bowl
- 3**  
  
**CB 501**  
 Chopping Board
- 4**  
  
**DB 448**  
 Drainer Basket
- 5**  
  
**RM 41**  
 Rollamat

## FEATURES & BENEFITS

- FPC** Food Preparation Centre
- 18/10** Stainless Steel
- Remote-Operated Waste
- Waste to Rear of Main Bowl
- Franke Hidden Overflow
- Sound Deadening Pads
- Hygienic Integrated Waste
- Flexible Fixing System
- Flushmount Fit

LAST UPDATED: 14 JAN 2016

Make it wonderful

**FRANKE**