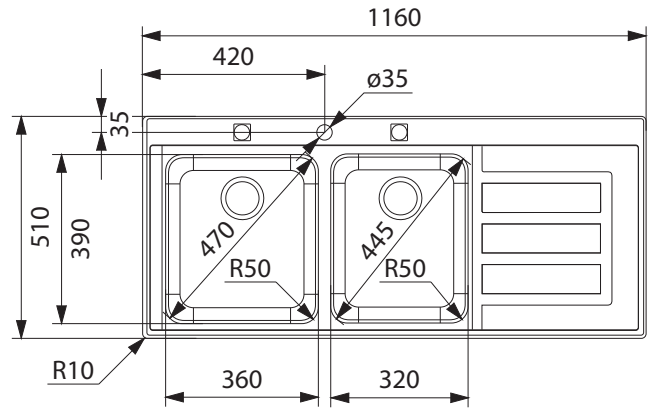


# EPOS

EOX221/HWRHD



## PRODUCT INFORMATION

<b>Installation</b>	Topmount
<b>Dimensions</b>	1160 x 510mm
<b>Cabinet Base</b>	800mm
<b>Bowl Size</b>	360 x 390 x 175mm/24L 320 x 390 x 175mm/21L
<b>Bowl Radius</b>	50mm
<b>Cut-Out Size</b>	1149 x 499mm, cr=10
<b>Cut-Out Template</b>	No
<b>Waste Outlet</b>	Hygienic Integrated Waste
<b>Overflow</b>	Yes
<b>Tap Holes</b>	ø35mm
<b>Remote Waste</b>	Yes
<b>Finish</b>	Stainless Steel
<b>Warranty</b>	50 Years

**NOTE:** Cut-out dimensions are a guide only, please use the actual sink as your template.

## FEATURES & BENEFITS



Food Preparation Centre



18/10 Stainless Steel



Push Button Remote Waste



Hidden Overflow



Sound Deadening Pads



Hygienic Integrated Waste



Flexible Fixing System

## ACCESSORIES

— Included Accessory  
- - - Available Accessory



**PB835**  
Push Button Waste



**CB749**  
Chopping Board



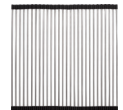
**SB491**  
Stainer Bowl



**CB501**  
Chopping Board



**DB448**  
Drainer Basket



**RM41**  
Rollamat

BARE SINK OPTION AND SOME SINK & TAP PACKAGES DO NOT INCLUDE ACCESSORIES. PLEASE CHAT TO YOUR SALES CONSULTANT FOR FURTHER INFORMATION.

LAST UPDATED: 21 SEPTEMBER 2021

