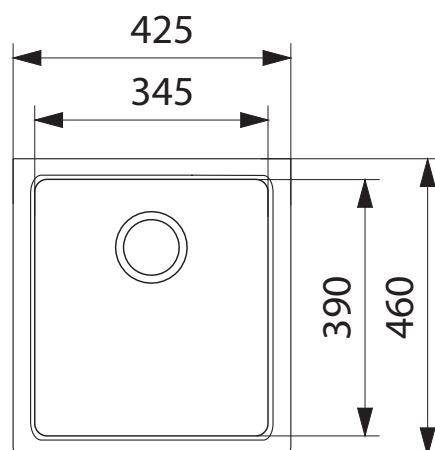


IMG 110-36 ONYX IMPACT



PRODUCT INFORMATION

Installation	Undermount
Dimensions	425 x 460mm
Cabinet Base	500mm
Bowl Size	345 x 390 x 195mm/38L
Bowl Radius	15mm
Cut-Out Size	Template
Cut-Out Template	Yes
Waste Outlet	Semi Integrated Waste
Overflow	No
Tap Holes	Part Drilled
Remote Waste	No
Finish	Fragranite



1 ACCESSORIES AVAILABLE **1** ACCESSORIES INCLUDED

ACCESSORIES

- | | | | | |
|---|---|---|---|---|
| 1
 | 2
 | 3
 | 4
 | 5
 |
| DB 448
Drainer Basket | CB 176
Chopping Board | CB 931
Chopping Board | RM 44
Rollamat | DT 360
Extension Drainer |

LAST UPDATED: 1 MARCH 2021