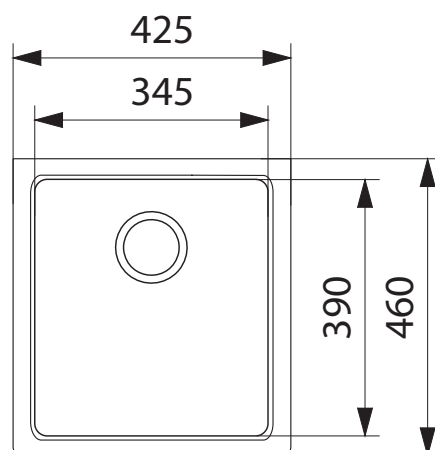


# IMG 110-36 PW IMPACT



## PRODUCT INFORMATION

<b>Installation</b>	Undermount
<b>Dimensions</b>	425 x 460mm
<b>Cabinet Base</b>	500mm
<b>Bowl Size</b>	345 x 390 x 195mm/38L
<b>Bowl Radius</b>	15mm
<b>Cut-Out Size</b>	Template
<b>Cut-Out Template</b>	Yes
<b>Waste Outlet</b>	Semi Integrated Waste
<b>Overflow</b>	No
<b>Tap Holes</b>	Part Drilled
<b>Remote Waste</b>	No
<b>Finish</b>	Fragranite



**1** ACCESSORIES AVAILABLE **1** ACCESSORIES INCLUDED

## ACCESSORIES

- |   |   |   |   |   |
|---|---|---|---|---|
| <b>1</b><br> | <b>2</b><br> | <b>3</b><br> | <b>4</b><br> | <b>5</b><br> |
| DB 448<br>Drainer Basket  | CB 176<br>Chopping Board  | CB 931<br>Chopping Board  | RM 44<br>Rollamat   | DT 360<br>Extension Drainer   |

LAST UPDATED: 1 MARCH 2021