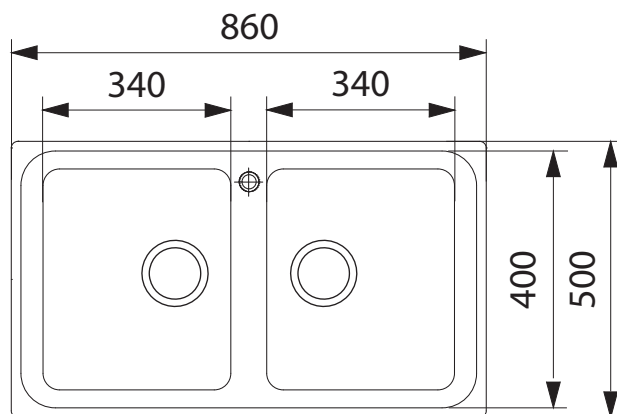


# IMG 620 PW IMPACT



## PRODUCT INFORMATION

<b>Installation</b>	Topmount
<b>Dimensions</b>	860 x 500mm
<b>Cabinet Base</b>	800mm
<b>Bowl Size</b>	340 x 400 x 200mm/27L (x2)
<b>Bowl Radius</b>	30mm
<b>Cut-Out Size</b>	840 x 480mm, cr=20
<b>Cut-Out Template</b>	No
<b>Waste Outlet</b>	Semi Integrated Waste
<b>Overflow</b>	Yes
<b>Tap Holes</b>	Part Drilled
<b>Remote Waste</b>	No
<b>Finish</b>	Fragranite



**1** ACCESSORIES AVAILABLE    **1** ACCESSORIES INCLUDED

## ACCESSORIES

**1**



**DB 840**  
Drainer Basket

**2**



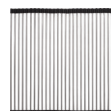
**CB 761**  
Chopping Board

**3**



**CB 931**  
Chopping Board

**4**



**RM 44**  
Rollamat

**5**



**DT 651**  
Extension Drainer

**6**



**CB 523**  
Chopping Board

LAST UPDATED: 1 MARCH 2021