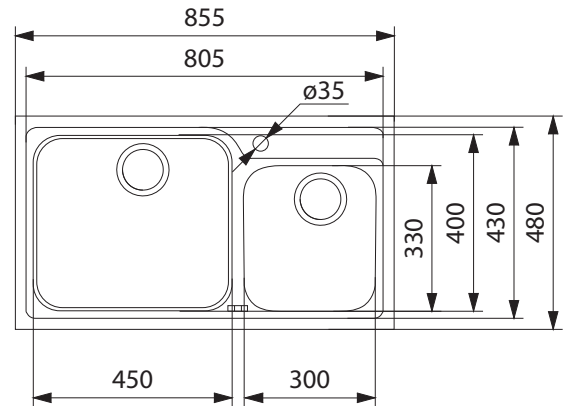


KARST

KTX220



PRODUCT INFORMATION

Installation	Topmount
Dimensions	1160 x 510mm
Cabinet Base	800mm
Bowl Size	360 x 390 x 175mm/24L 320 x 390 x 175mm/21L
Bowl Radius	50mm
Cut-Out Size	1149 x 499mm, cr=10
Cut-Out Template	No
Waste Outlet	Hygienic Integrated Waste
Overflow	Yes
Tap Holes	ø35mm
Remote Waste	Yes
Finish	Stainless Steel
Warranty	50 Years

NOTE: Cut-out dimensions are a guide only, please use the actual sink as your template.

FEATURES & BENEFITS



Food Preparation Centre



18/10 Stainless Steel



Hidden Overflow



Sound Deadening Pads

ACCESSORIES

— Included Accessory
- - - Available Accessory



RM37
Rollamat



CB503
Chopping Board



DB426
Drainer Basket



CB749
Chopping Board

BARE SINK OPTION AND SOME SINK & TAP PACKAGES DO NOT INCLUDE ACCESSORIES. PLEASE CHAT TO YOUR SALES CONSULTANT FOR FURTHER INFORMATION.

LAST UPDATED: 21 SEPTEMBER 2021

FRANKE