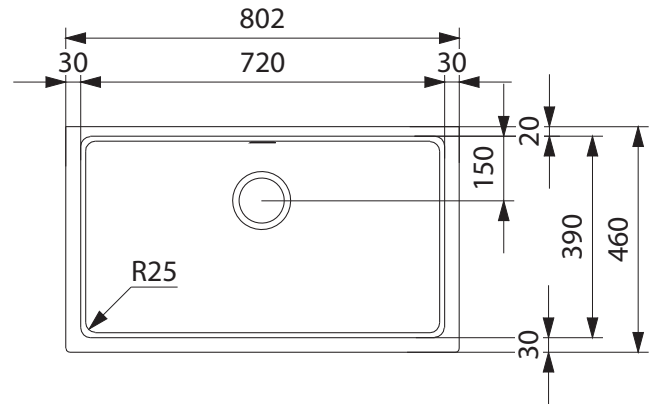


# KUBUS FRAGRANITE

KBG110-74PW

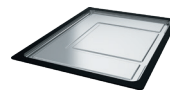


## PRODUCT INFORMATION

<b>Installation</b>	Undermount
<b>Dimensions</b>	802 x 460mm
<b>Cabinet Base</b>	900mm
<b>Bowl Size</b>	720 x 390 x 200mm / 56L
<b>Bowl Radius</b>	25mm
<b>Cut-Out Size</b>	Template
<b>Cut-Out Template</b>	Yes
<b>Waste Outlet</b>	Semi Integrated Waste
<b>Overflow</b>	Yes
<b>Tap Holes</b>	No
<b>Remote Waste</b>	No
<b>Finish</b>	Fragranite
<b>Warranty</b>	50 Years

## ACCESSORIES

— Included Accessory  
- - - Available Accessory



**DT360**  
Extension Drainer



**RM41**  
Rollamat



**CB176**  
Chopping Board



**DB448**  
Drainer Basket

**NOTE:** Cut-out dimensions are a guide only, please use the actual sink as your template.

## FEATURES & BENEFITS



Food Preparation Centre



Fragranite



Hidden Overflow



Sanitized® Surface

BARE SINK OPTION AND SOME SINK & TAP PACKAGES DO NOT INCLUDE ACCESSORIES. PLEASE CHAT TO YOUR SALES CONSULTANT FOR FURTHER INFORMATION.

LAST UPDATED: 21 SEPTEMBER 2021

**FRANKE**