

# TECHNICAL DATASHEET

## MYTHOS FUSION MTF 651 PW LHD

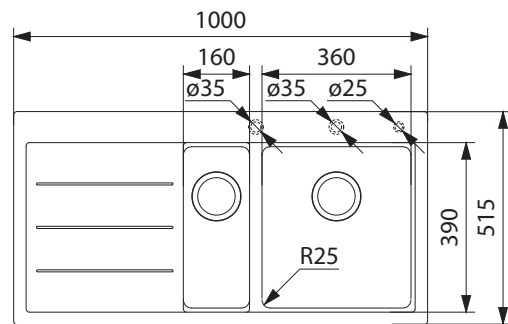
Product Category	Sinks
Finish	Fragranite
Installation	Inset
Range	MYTHOS FUSION
Model	MTF 651 PW LHD
Warranty	25 Years



\*Image has Strainer Tray pictured in small bowl

### PRODUCT INFORMATION

Article Number	114.0202.608
Dimensions	1000 x 515mm
Cabinet Base	600mm
Bowl Size	360 x 390 x 200mm/27L 160 x 390 x 140mm/8L
Bowl Radius	25mm
Cut-Out Size	984 x 494mm, cr=10
Cut-Out Template	No
Waste Outlet	Semi Integrated Waste
Overflow	Yes
Tap Holes	Part drilled
Remote Waste	Yes
Opposite Configuration	114.0202.610
Accessories	<b>1</b> <b>2</b> <b>3</b> <b>4</b> <b>5</b>







**NOTE:** Tap and pop-up waste control holes are part pre-drilled on the underside of the Fraganite Sinks, for knocking out as required

**1** ACCESSORIES AVAILABLE **1** ACCESSORIES INCLUDED

### ACCESSORIES

<b>1</b>		<b>2</b>		<b>3</b>		<b>4</b>		<b>5</b>	
<b>RM 40</b> Rollamat		<b>ST 787</b> Strainer Tray		<b>CB 900</b> Chopping Board		<b>DB 650</b> Drainer Basket		<b>DT 651</b> Extension Drainer	

### FEATURES & BENEFITS

 Food Preparation Centre	 Franke Granite	 Remote-Operated Waste	 Waste to Rear of Main Bowl	 Franke Hidden Overflow
--	--	---	--	--

LAST UPDATED: 14 JAN 2016

Make it Wonderful

**FRANKE**