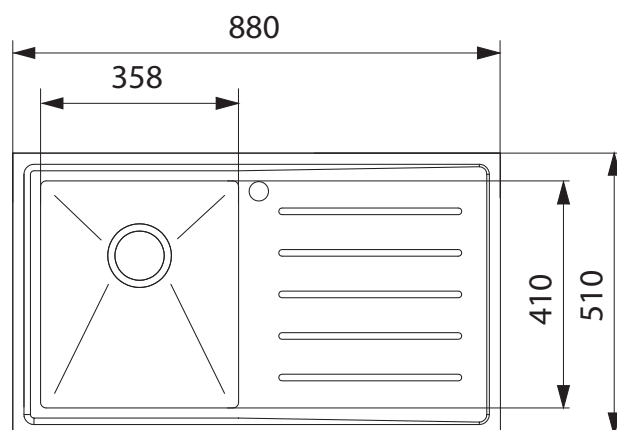


# VLX 211 RHD VELA



## PRODUCT INFORMATION

<b>Installation</b>	Topmount/Flushmount/Undermount
<b>Dimensions</b>	880 x 510mm
<b>Cabinet Base</b>	600mm
<b>Bowl Size</b>	358 x 410 x 205mm/30L
<b>Bowl Radius</b>	10mm
<b>Cut-Out Size</b>	Topmount: 865 x 495mm, cr=10 Undermount: Template
<b>Cut-Out Template</b>	Yes
<b>Waste Outlet</b>	Semi Integrated Waste
<b>Overflow</b>	No
<b>Tap Holes</b>	Yes
<b>Remote Waste</b>	No
<b>Finish</b>	Stainless Steel



**1** ACCESSORIES AVAILABLE    **1** ACCESSORIES INCLUDED

## ACCESSORIES

**1**



**DB 664**  
Drainer Basket

**2**



**CB 523**  
Chopping Board

**3**



**SB 4419**  
Strainer Bowl

**4**



**DT 651**  
Extension Drainer

LAST UPDATED: 25 FEB 2020