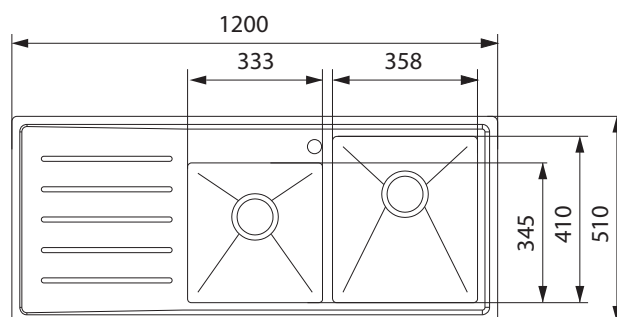


VLX 221 LHD VELA



PRODUCT INFORMATION

Installation	Topmount/Flushmount/Undermount
Dimensions	1200 x 510mm
Cabinet Base	800mm
Bowl Size	358 x 410 x 205mm/30L 333 x 345 x 175mm/20L
Bowl Radius	10mm
Cut-Out Size	Topmount: 1185 x 495mm, cr=10 Undermount: Template
Cut-Out Template	Yes
Waste Outlet	Semi Integrated Waste
Overflow	No
Tap Holes	Yes
Remote Waste	No
Finish	Stainless Steel



1 ACCESSORIES AVAILABLE **1** ACCESSORIES INCLUDED

ACCESSORIES

1



DB 664
Drainer Basket

2



CB 523
Chopping Board

3



SB 4419
Strainer Bowl

4



DT 651
Extension Drainer

LAST UPDATED: 25 FEB 2020