

TECHNICAL DATASHEET

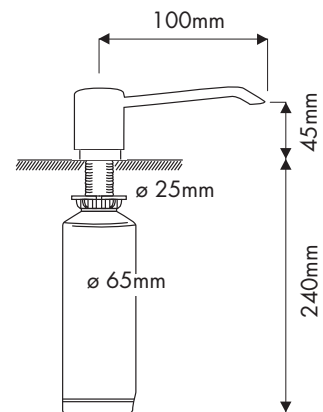
SD 319 STANDARD

Product Category	Soap Dispensers
Model	SD 319 STANDARD
Warranty	12 Months



PRODUCT INFORMATION

Article Number	119.0036.319
Dimensions	45 x 100mm
Cut-Out Size	∅ 20mm
Finish	Chrome
Accessories	Soap Container (500ml)



LAST UPDATED: 12 AUGUST 2016

Make
it
Wonderful

FRANKE