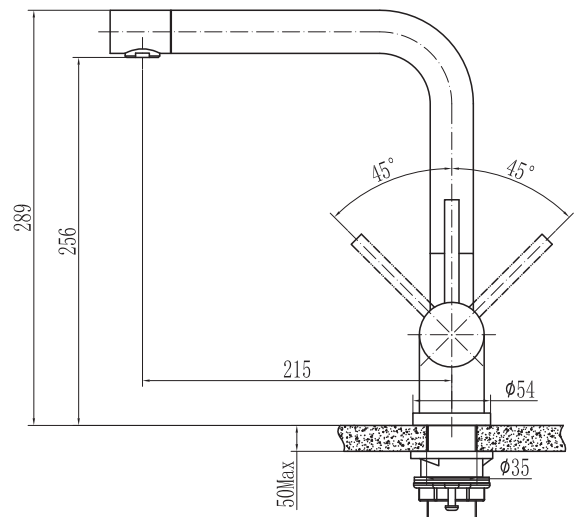


TA 9520 ATLAS TAP



PRODUCT INFORMATION

| | |
|-----------------------------------|---|
| Style | Non Pull-Out |
| Tap Swivel Spout (degrees) | 360° |
| Cut-Out Size | Ø 35mm |
| WELS | 4 star/7.5 Lpm Reg No: T31118 |
| Min. (PSI) | 7.25 |
| Max. (PSI) | 72.5 |
| Min. (kPa) | 50kPa |
| Max. (kPa) | 500kPa |
| Finish | Stainless Steel |
| Warranty | 5 years parts and labour 15 years cartridge only *T&C's apply |



*56mm is the **minimum distance** required between the tap base and a splashback/wall directly behind the tap in order for the tap to operate correctly.

PLEASE NOTE: Large and heavy taps should ideally be mounted directly through the solid benchtop or fully supported from underneath. For all other swivel taps, we recommend the use of the Franke Tap Support Arm to provide additional support. Please ensure all Franke tapware is installed at a pressure of no greater than 500 kPa in accordance with AS/NZS3500 and insist that your plumber flushes all of the water supply lines before installing tapware. Failure to do so may void warranty.

LAST UPDATED: 21 SEP 2020