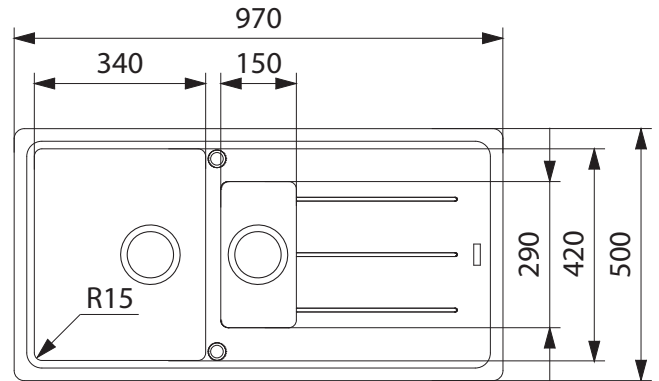


BASIS

BFG651MBLHD



NOTE: May require purchase of an additional waste kit.

PRODUCT INFORMATION

Installation	Topmount
Dimensions	970 x 500mm
Cabinet Base	600mm
Bowl Size	340 x 420 x 190mm/27L 150 x 290 x 90mm/4L
Bowl Radius	15mm
Cut-Out Size	950 x 480mm
Cut-Out Template	No
Waste Outlet	Semi Integrated Waste
Overflow	No
Tap Holes	ø35mm (1 - Drilled)
Remote Waste	No
Finish	Fragranite
Warranty	50 Years

NOTE: Cut-out dimensions are a guide only, please use the actual sink as your template.

FEATURES & BENEFITS



Food Preparation Centre



Fragranite



Hidden Overflow

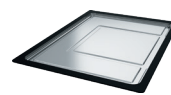


Sanitized® Surface

ALL-IN ACCESSORIES (AVAILABLE)

PACK 1					
	Telescopic Bridge	Chopping Board	Small Strainer Bowl	Small Storage Box	Bamboo Lid
PACK 2	All Accessories Included In Pack 1				
			Silicon Drainer Mat		
PACK 3	All Accessories Included In Pack 2				
			Large Strainer Bowl	Storage Container	

ADDITIONAL ACCESSORIES ——— Included Accessory
----- Available Accessory



DT360
Extension Drainer



RM44
Rollamat

BARE SINK OPTION AND SOME SINK & TAP PACKAGES DO NOT INCLUDE ACCESSORIES. PLEASE CHAT TO YOUR SALES CONSULTANT FOR FURTHER INFORMATION.

LAST UPDATED: 17 JUNE 2024

