

URBAN

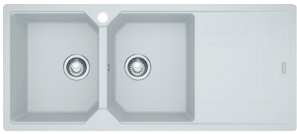
UBG621RHD



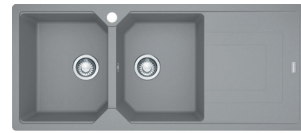
UBG621MBRHD



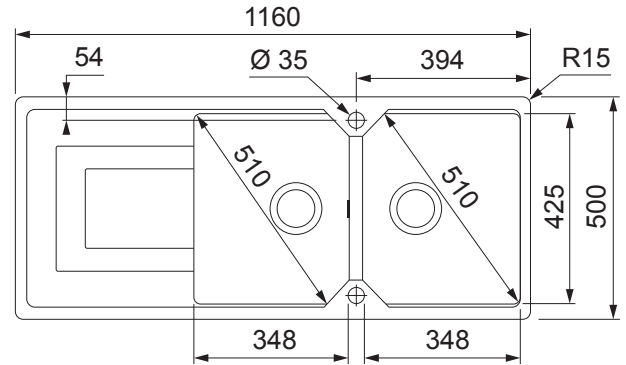
UBG621ONRHD



UBG621PWRHD



UBG621SGRHD



PRODUCT INFORMATION

Installation	Topmount
Dimensions	1160 x 500mm
Cabinet Base	800mm
Bowl Size	348 x 425 x 206mm / 30L (x2)
Bowl Radius	15mm
Cut-Out Size	1124 x 464mm, cr=15
Cut-Out Template	No
Waste Outlet	Semi Integrated Waste
Overflow	Yes
Tap Holes	ø35mm
Remote Waste	No
Finish	Fragranite
Warranty	50 Years

NOTE: Cut-out dimensions are a guide only, please use the actual sink as your template.

FEATURES & BENEFITS



Food Preparation Centre



Fragranite



Fast Fix Installation



Franke Overflow



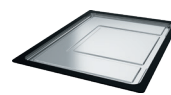
Sanitized® Surface

ALL-IN ACCESSORIES (AVAILABLE)

PACK 1	<p>Telescopic Bridge Chopping Board Small Strainer Bowl Small Storage Box Bamboo Lid</p>
PACK 2	<p>All Accessories Included In Pack 1</p> <p>Silicon Drainer Mat</p>
PACK 3	<p>All Accessories Included In Pack 2</p> <p>Large Strainer Bowl Storage Container</p>

ADDITIONAL ACCESSORIES

— Included Accessory
- - - Available Accessory



DT360
Extension Drainer



RM44
Rollamat

BARE SINK OPTION AND SOME SINK & TAP PACKAGES DO NOT INCLUDE ACCESSORIES. PLEASE CHAT TO YOUR SALES CONSULTANT FOR FURTHER INFORMATION.

LAST UPDATED: 17 JUNE 2024

