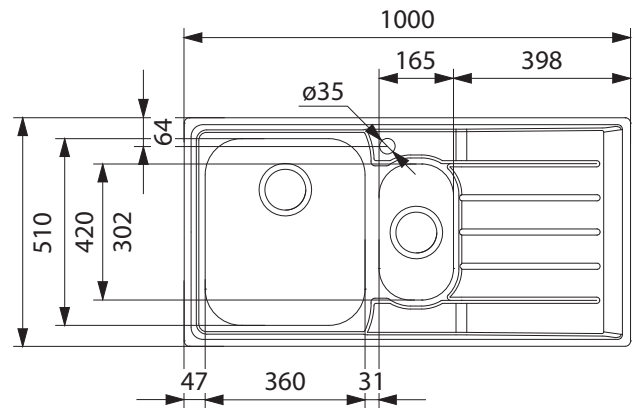


# NEX 651 RHD NEPTUNE SINK



## PRODUCT INFORMATION

<b>Installation</b>	Topmount
<b>Dimensions</b>	1000(W) x 510(H)mm
<b>Cabinet Base</b>	600mm
<b>Bowl Size</b>	360(W) x 420(H) x 190(D)mm/28L 165(W) x 302(H) x 130(D)mm/6L
<b>Bowl Radius</b>	50mm
<b>Cut-Out Size</b>	984 x 494mm, cr=20
<b>Cut-Out Template</b>	No
<b>Waste Outlet</b>	Semi Integrated Waste
<b>Overflow</b>	No
<b>Tap Holes</b>	ø35mm
<b>Remote Waste</b>	No
<b>Finish</b>	Stainless Steel



**1** ACCESSORIES AVAILABLE **1** ACCESSORIES INCLUDED

BARE SINK OPTION AND SOME SINK & TAP PACKAGES DO NOT INCLUDE ACCESSORIES.  
PLEASE CHAT TO YOUR SALES CONSULTANT FOR FURTHER INFORMATION.

## ACCESSORIES

**1**



**CB 601**  
Chopping Board

**2**



**DB 664**  
Drainer Basket

**3**



**RM 44**  
Rollamat

LAST UPDATED: 4 MARCH 2021