

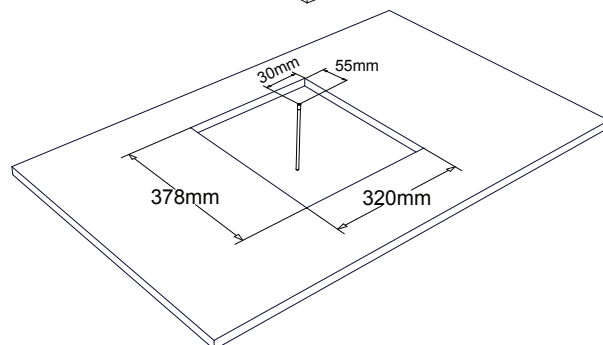
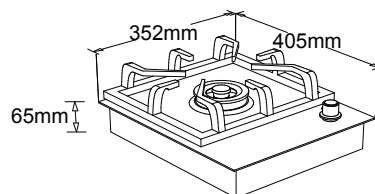
FIG301S1 N/L

35.2CM STAINLESS STEEL GAS COOKTOP



PRODUCT INFORMATION

| | |
|--------------------------------|-----------------------|
| Overall Dimensions (mm) | 352 x 405 x 65mm |
| Controls | Stainless steel knob |
| Power | 220-240V/50Hz, 1A Max |
| Cutout | 320 x 378mm |
| Safety devices | Flame failure |
| Pan support | Cast-iron |
| Ignition | Electronic |
| Gas type | NG or LPG |
| Solid brass burners | 1 |
| WOK burner | 0.5 - 22MJ/h* |
| Finish | Stainless Steel |
| Warranty | 5 years |



* Values shown are for natural gas