

# TECHNICAL DATASHEET

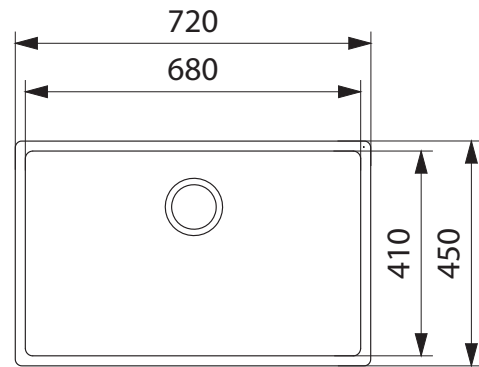
BOW BXX 210-68

Product Category	Sinks
Finish	Stainless Steel
Installation	Topmount/Undermount/ Flushmount
Range	BOW
Model	BXX 210-68
Warranty	50 Years



## PRODUCT INFORMATION

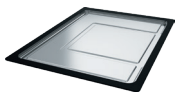
Dimensions	720 x 450mm
Cabinet Base	800mm
Bowl Size	680 x 410 x 200/ 56L
Bowl Radius	12mm
Cut-Out Size	Template
Cut-Out Template	Yes
Waste Outlet	Semi Integrated Waste
Overflow	No
Tap Holes	No
Remote Waste	No
Accessories	<b>1</b> <b>2</b> <b>3</b> <b>4</b>



**1** ACCESSORIES AVAILABLE    **1** ACCESSORIES INCLUDED

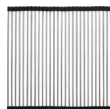
## ACCESSORIES

**1**



**DT 360**  
Extension Drainer

**2**



**RM 44**  
Rollamat

**3**



**CB 931**  
Chopping Board

**4**



**DB 664**  
Drainer Basket

## FEATURES & BENEFITS



Food  
Preparation  
Centre



Stainless  
Steel



Waste To  
Rear Of  
Bowl



Sound  
Deadening  
Pads



Fast Fix  
Installation



LAST UPDATED: 11 OCT 2019