



Franke Bow Centre BWX 220-41/27 Sink

SPECIFICATIONS

Recommended Use	Domestic
Material	Stainless Steel
Bowl Type	1 & 1/2 Bowl
Sink Installation	Topmount/Flushmount Sink
Minimum Cabinet Size	900mm
Cut-Out Dimensions	770 x 490mm
Waste Type	Semi Integrated Waste
Overflow	Yes
Taphole	1 x Tap & 1 x Remote Waste
Fixing	Clipping System
Product Template	No

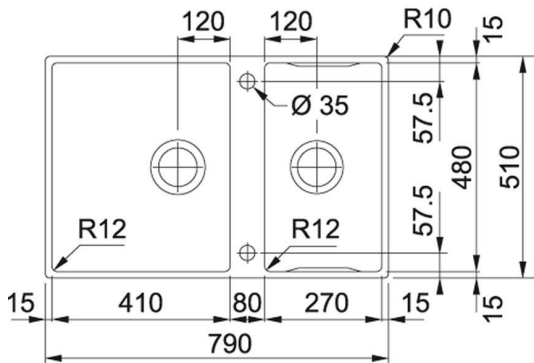
WARRANTY

Warranty - Domestic Use	50 Years
Spare Parts & Labour	12 Months

Please refer to Warranty Page for full Terms and Conditions



Product pictured in "Day Mode"



ACCESSORIES



CB 134
Chopping Board



CB 120
Chopping Board



DB 138
Wire Rack



KS 792
Knife Set



CB 135
Knife Holder



SBCUW-70S
Strainer Bowl



AC 292
Stainless Steel Organiser



PB 835
Push Button



DT 360 (Not Included)
Extension Drainer

Dimensions are nominal measurements only.

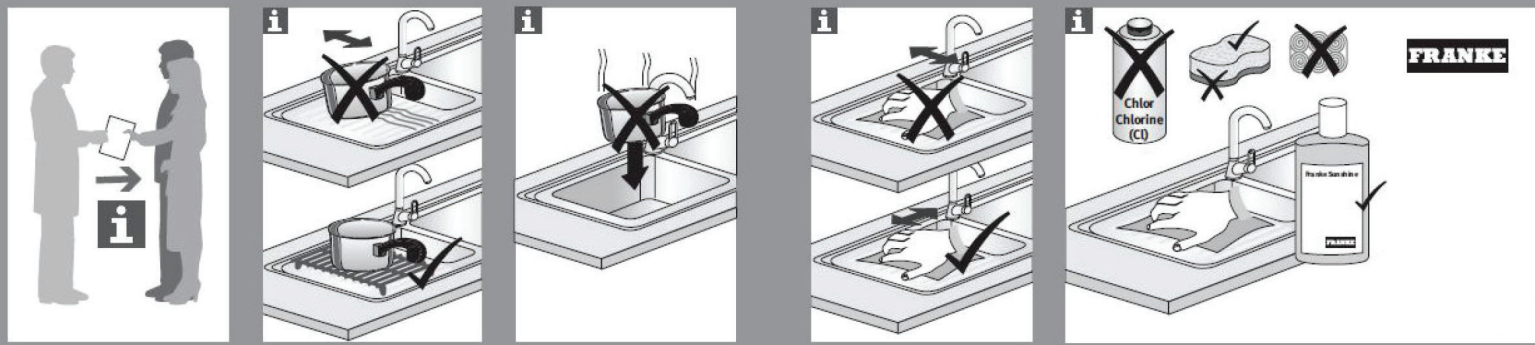
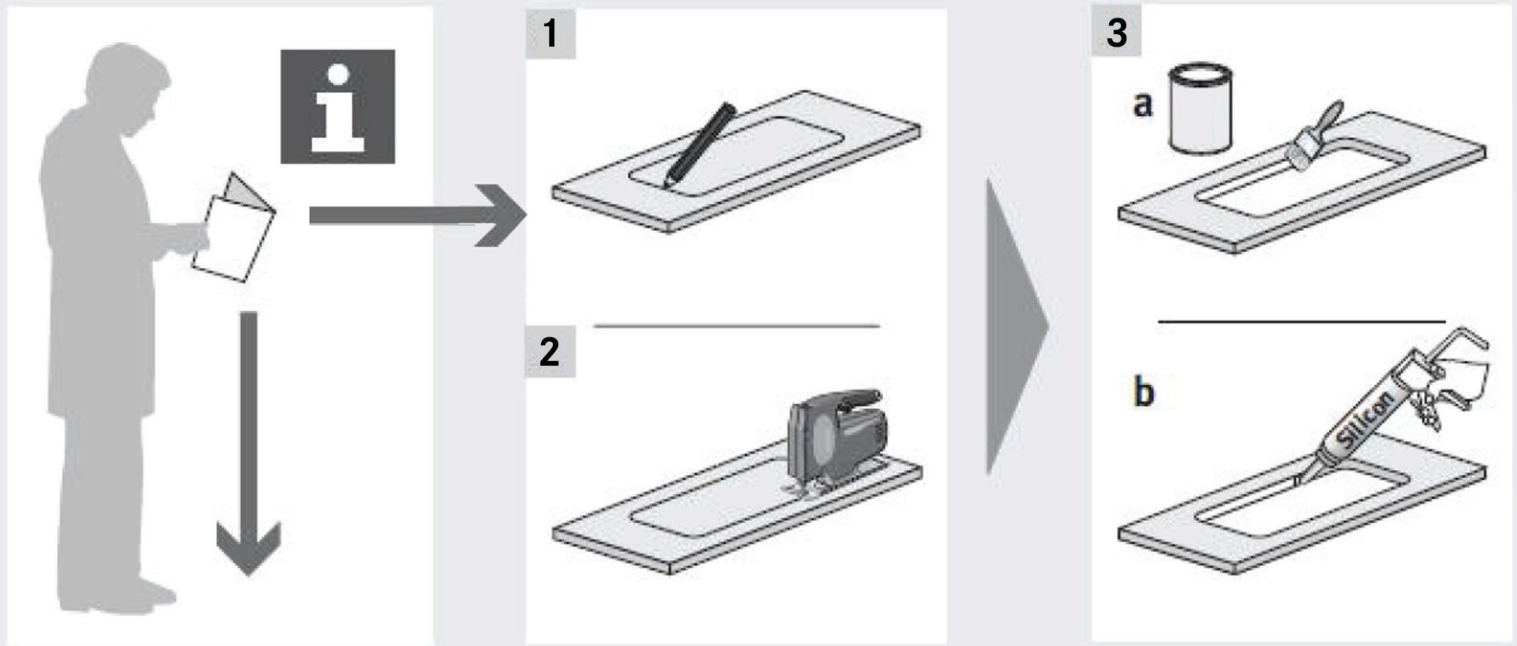
Disclaimer: Products in this specification manual must by regulation be installed by licensed and registered trade people. The manufacturer/distributor reserves the right to vary specifications or delete models from their range without prior notification. Dimensions are nominal measurements only. Dimensions and set-outs listed are correct at time of publication however the manufacturer/distributor takes no responsibility for printing errors.

Published 24/09/2020



Franke Bow Centre BWX 220-41/27 Sink

Installation Instructions - Topmount



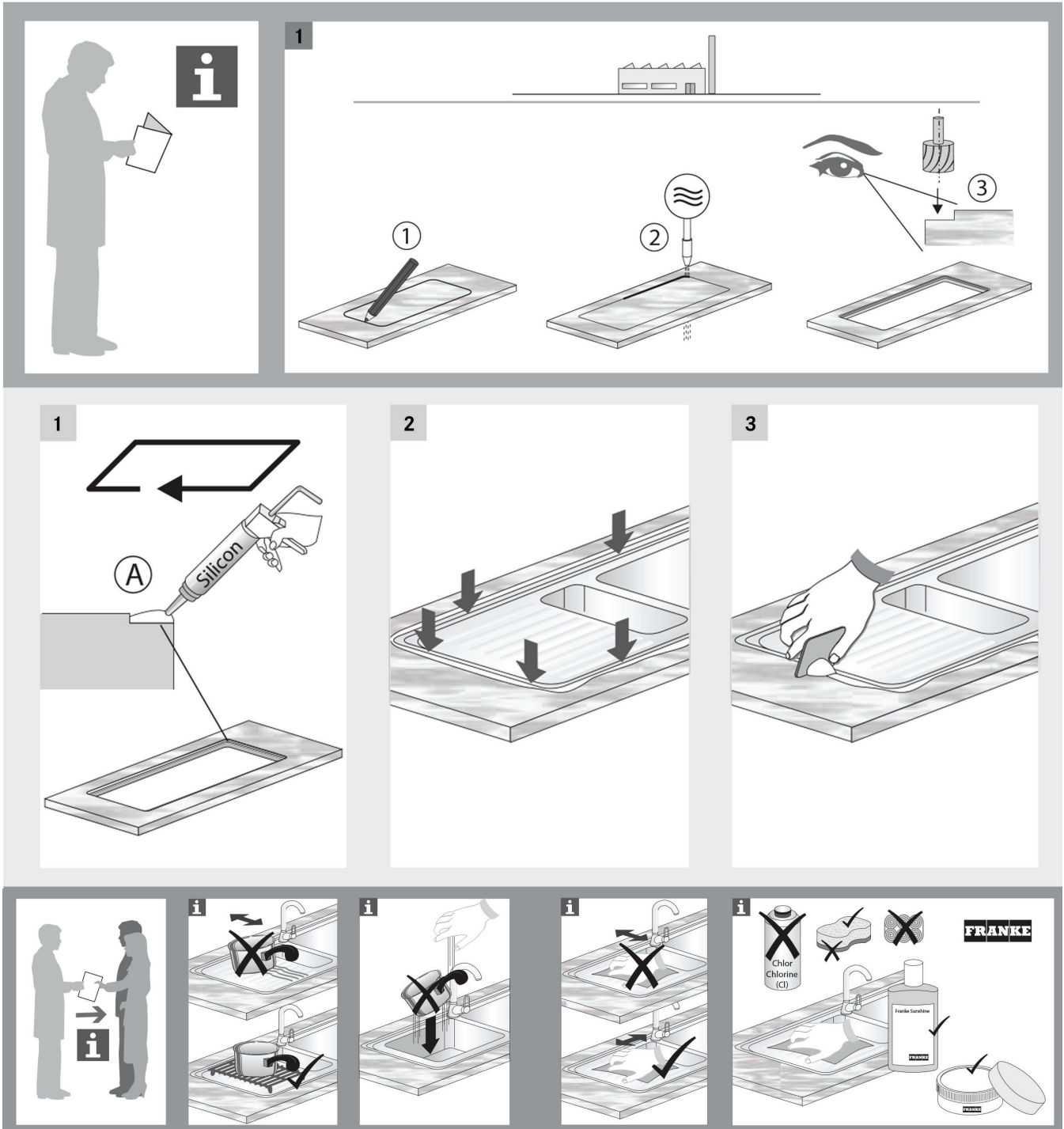
Dimensions are nominal measurements only.

Disclaimer: Products in this specification manual must by regulation be installed by licensed and registered trade people. The manufacturer/distributor reserves the right to vary specifications or delete models from their range without prior notification. Dimensions are nominal measurements only. Dimensions and set-outs listed are correct at time of publication however the manufacturer/distributor takes no responsibility for printing errors.

Published 24/09/2020

Franke Bow Centre BWX 220-41/27 Sink

Installation Instructions - Flushmount



Dimensions are nominal measurements only.

Disclaimer: Products in this specification manual must by regulation be installed by licensed and registered trade people. The manufacturer/distributor reserves the right to vary specifications or delete models from their range without prior notification. Dimensions are nominal measurements only. Dimensions and set-outs listed are correct at time of publication however the manufacturer/distributor takes no responsibility for printing errors.

Published 24/09/2020