



Franke Fresno FSG611-88ON Sink

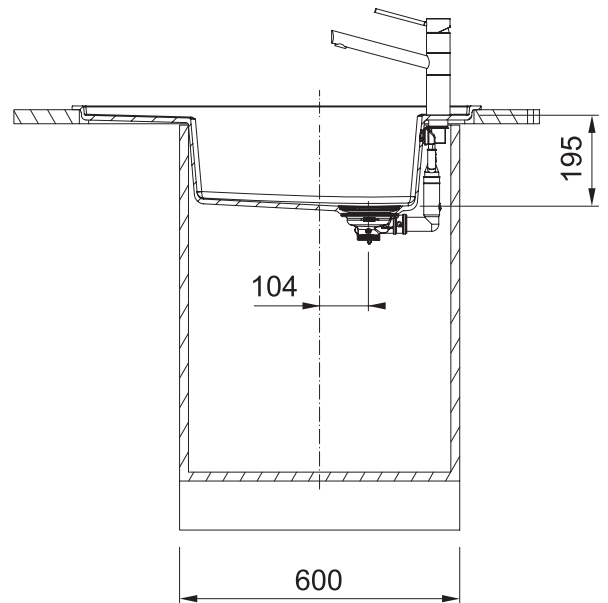
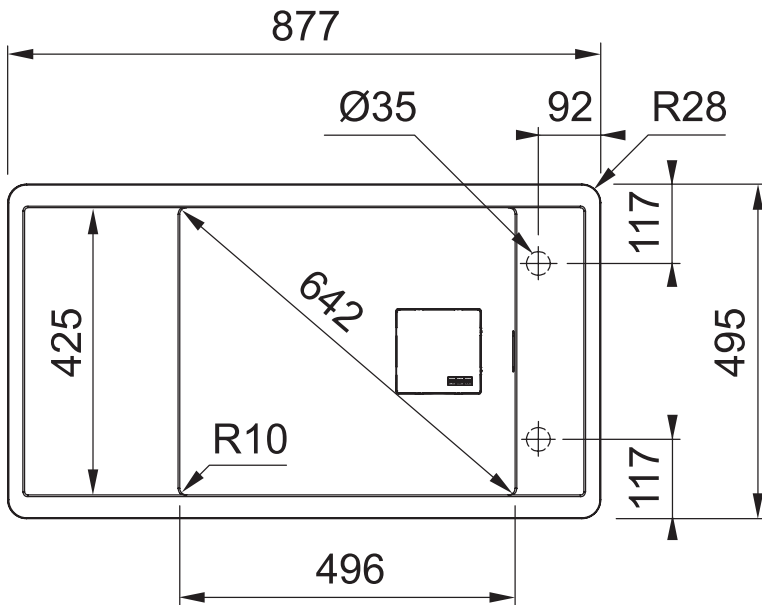
SPECIFICATIONS

Recommended Use	Domestic, Hotel & Commercial
Material	Fragranite
Bowl Type	Single Bowl
Bowl Configuration	Drainer
Sink Installation	Topmount Sink
Minimum Cabinet Size	600mm
Waste Type	Semi Integrated Waste
Overflow	Yes
Sink Formation	Composite
Taphole	1 x Tap & 1 x Remote Waste
Product Template	Please see PDF instructions

WARRANTY

Warranty - Domestic Use	50 Years
Spare Parts & Labour	12 Months

Please refer to Warranty Page for full Terms and Conditions



Dimensions are nominal measurements only.

Disclaimer: Products in this specification manual must by regulation be installed by licensed and registered trade people. The manufacturer/distributor reserves the right to vary specifications or delete models from their range without prior notification. Dimensions are nominal measurements only. Dimensions and set-outs listed are correct at time of publication however the manufacturer/distributor takes no responsibility for printing errors.

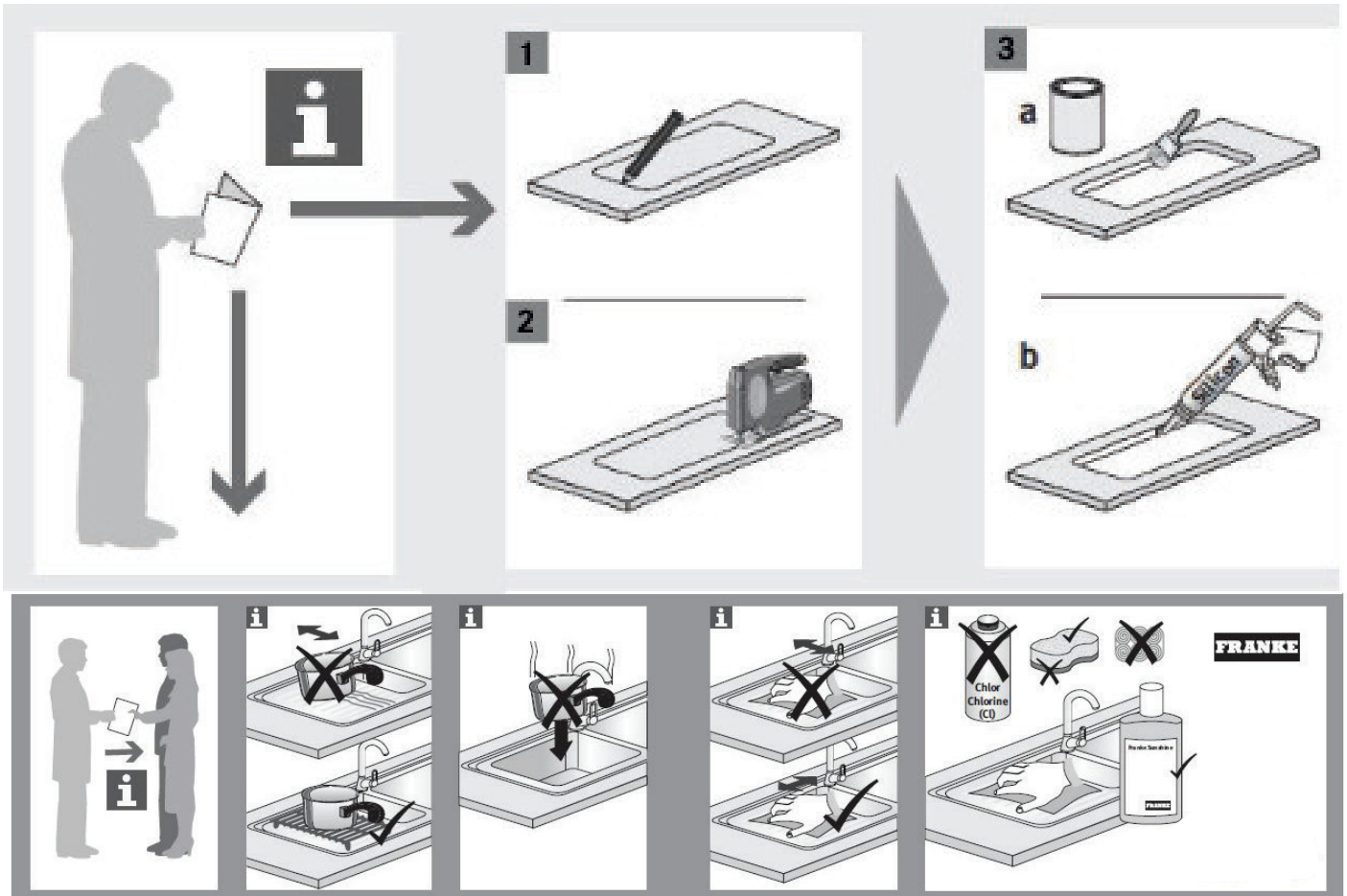
Published 26/03/2024





Franke Fresno FSG611-88ON Sink

INSTALLATION INSTRUCTIONS



Please note: Top mount only. No install clips required. Please do a bead of silicone and push down firmly.

Dimensions are nominal measurements only.

Disclaimer: Products in this specification manual must by regulation be installed by licensed and registered trade people. The manufacturer/distributor reserves the right to vary specifications or delete models from their range without prior notification. Dimensions are nominal measurements only. Dimensions and set-outs listed are correct at time of publication however the manufacturer/distributor takes no responsibility for printing errors.

Published 26/03/2024

