

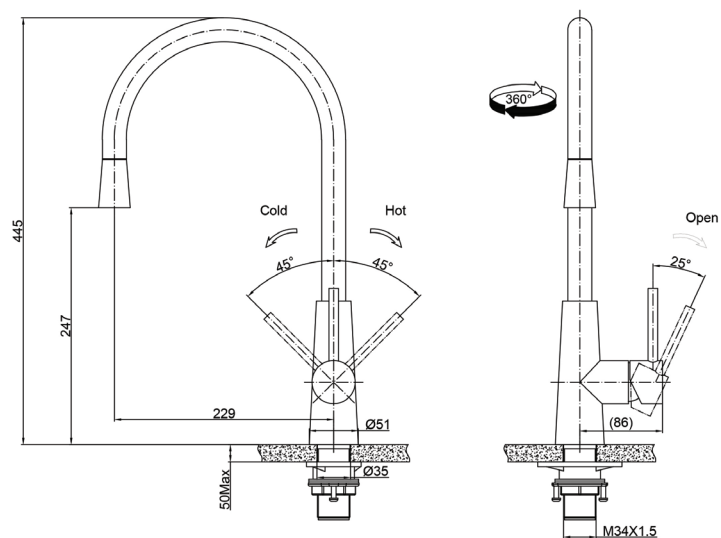
# TA 9531B OLTEN GOOSENECK PULL OUT TAP BLACK



## PRODUCT INFORMATION

|   |                                 |
|---|---------------------------------|
| <b>Recommended Use</b>                        | Domestic                        |
| <b>Length of Tap Lever</b>                    | 59mm                            |
| <b>Cut-Out Size</b>                           | ø 35mm                          |
| <b>WELS Rating</b>                            | 4 star/7.5Lpm<br>Reg No: T35089 |
| <b>Recommended Pressure Range</b>             | 150 - 500 kPa                   |
| <b>Max Continuous Working Pressure</b>        | 500 kPa                         |
| <b>Suitable for Storage Tank Hot Water</b>    | Yes                             |
| <b>Suitable for Continuous Flow Hot Water</b> | Yes                             |
| <b>Suitable for Gravity Feed Hot Water</b>    | No                              |
| <b>Colour</b>                                 | Industrial Black                |
| <b>Material</b>                               | Stainless Steel                 |
| <b>Warranty</b>                               | 15 years**                      |

\*\*Please refer to Warranty Page for full terms and conditions



\*Tap Support Included

**PLEASE NOTE:** Technical and product specifications may change; therefore, cut-outs for taps should only be by physical product measurements. The above information is indicative only.

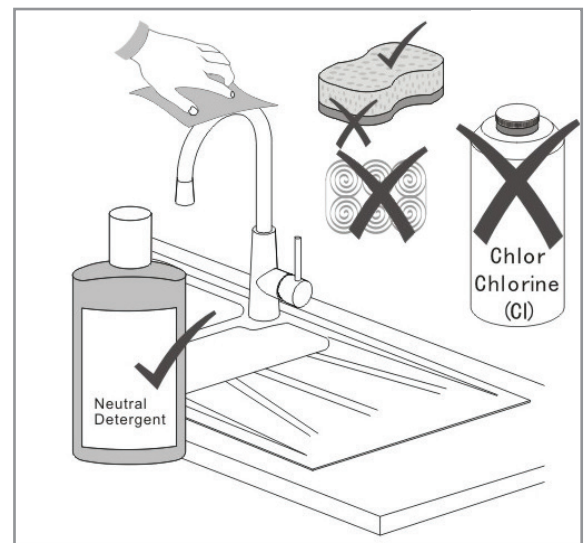
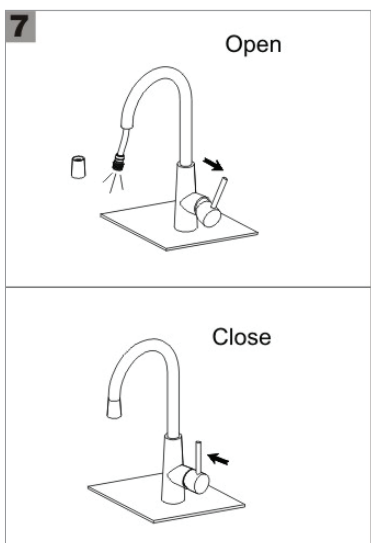
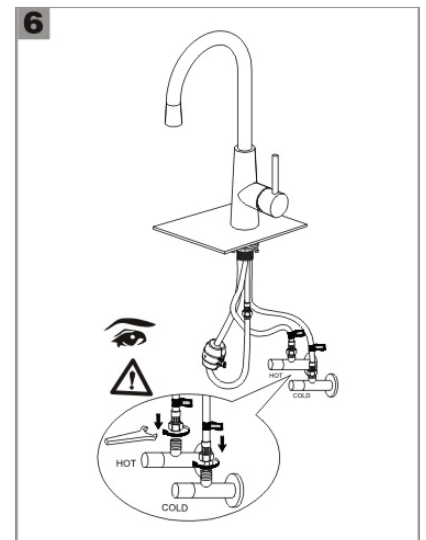
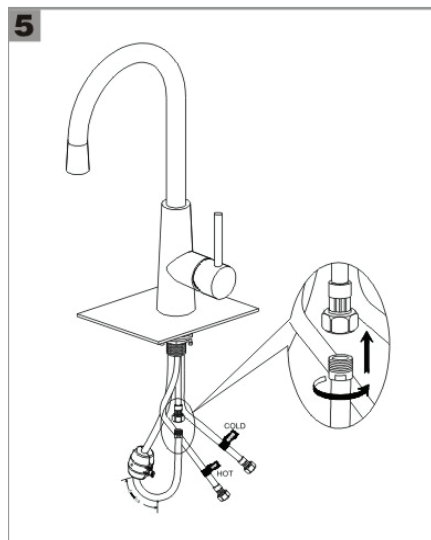
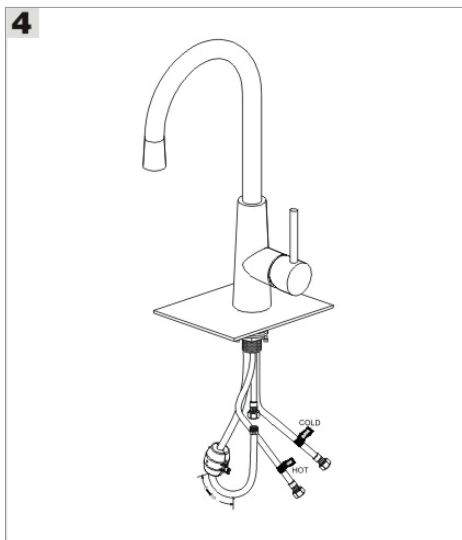
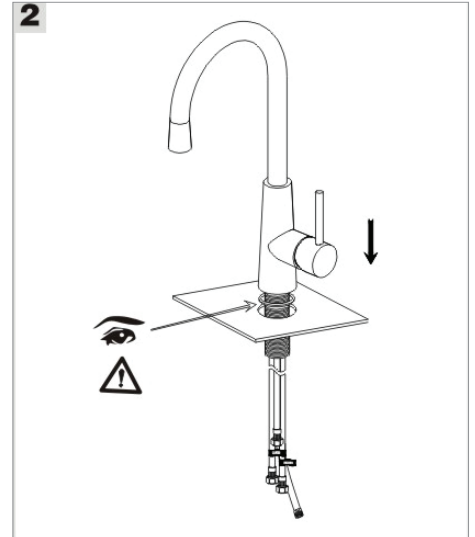
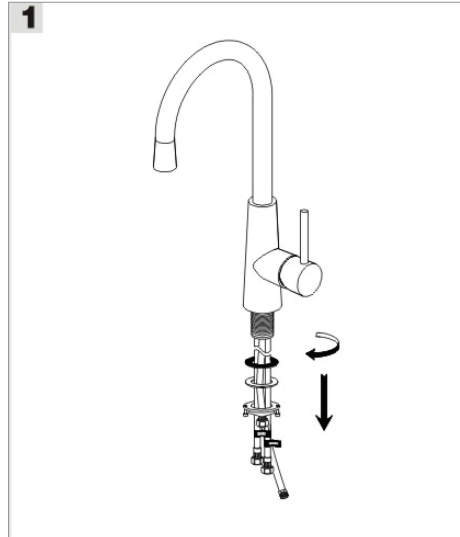
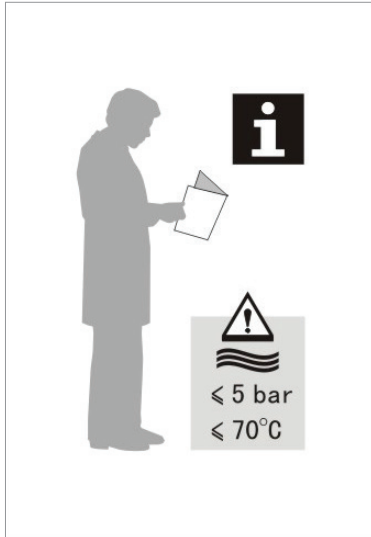
LAST UPDATED: 12 DEC 2019



MAKE IT WONDERFUL



# Franke Olten Mixer Installation Instructions



FRANKE

## Franke Olten Mixer Care Instructions

- Periodically clean the aerator filter
- Install filter valves under the sink and periodically clean the filters
- Do not use detergents, solvents, chemical agents, abrasive sponges, wire wool or alcohol etc. which would irreparably damage the surface of the product and ruin its appearance, sheen and matte finishes.
- Clean with soapy water and dry with a soft cloth
- Dry the product after use if the water is very hard or aggressive, as it may leave deposits, which would damage the surface.
- Do not install the tap when the water pressure exceeds 500kPa (in this case, pressure limiting valves are required).
- Rinse the water pipes before installing the tap