



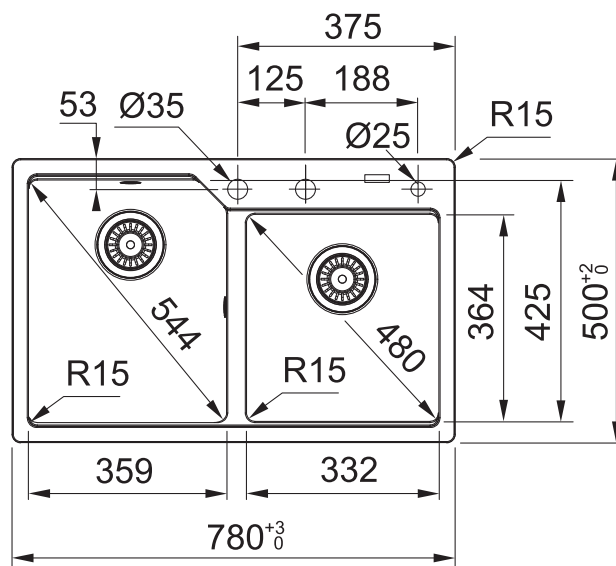
Franke Urban City UCG620-78ON Sink

SPECIFICATIONS

Recommended Use	Domestic, Hotel & Commercial
Material	Fragranite
Bowl Configuration	Double Bowl without Drainer
Colour	Onyx
Sink Installation	Topmount/Flushmount Sink
Minimum Cabinet Size	800mm
Waste Type	Semi Integrated Waste
Overflow	Yes
Taphole	No
Product Template	Please see PDF instructions

WARRANTY

Warranty - Domestic Use	50 Years
Spare Parts & Labour	12 Months
<i>Please refer to Warranty Page for full Terms and Conditions</i>	



Dimensions are nominal measurements only.

Disclaimer: Products in this specification manual must by regulation be installed by licensed and registered trade people. The manufacturer/distributor reserves the right to vary specifications or delete models from their range without prior notification. Dimensions are nominal measurements only. Dimensions and set-outs listed are correct at time of publication however the manufacturer/distributor takes no responsibility for printing errors.

Published 12/05/2023

