

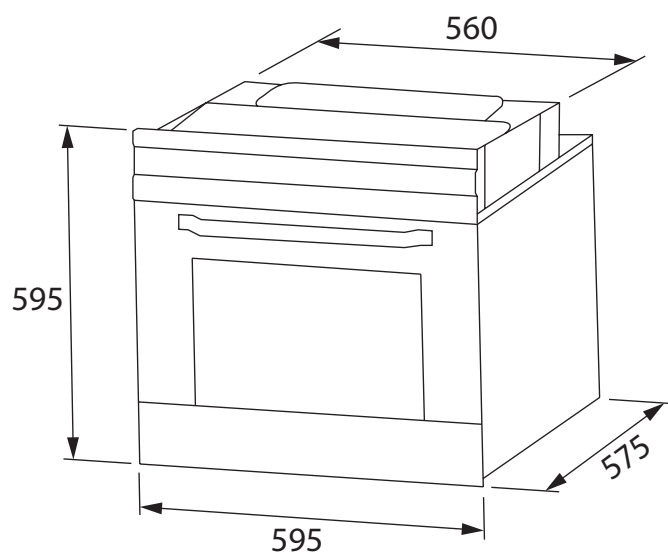
# FRE60M5B

## 60CM 5 FUNCTION OVEN



### PRODUCT INFORMATION

<b>Recommended Use</b>	Domestic
<b>Dimensions (mm)</b>	595(W) x 595(H) x 575(D)
<b>Cavity Size</b>	70L Net
<b>Weight</b>	30.4 Kg
<b>Functions</b>	5
<b>Source</b>	Electrical
<b>Power</b>	220-240V 50/60Hz, 2100W Max
<b>Power Cord</b>	Hard Wired, 1400mm Length
<b>Temperature Range</b>	50°-250 °C
<b>Control Interface</b>	Push In & Out Control Knobs x 3
<b>Oven Door</b>	Triple Glazed
<b>Lighting</b>	Single
<b>Timer</b>	Yes
<b>Convection Fan</b>	Yes
<b>Cooling Fan</b>	Yes
<b>Shelf Rack</b>	2
<b>Accessories</b>	Baking Pan x 1
<b>Finish</b>	Black Glass



**PLEASE NOTE:** Technical and product specifications may change; therefore, cut-outs for appliances should only be by physical product measurements. The above information is indicative only.

LAST UPDATED: 11 OCT 2019