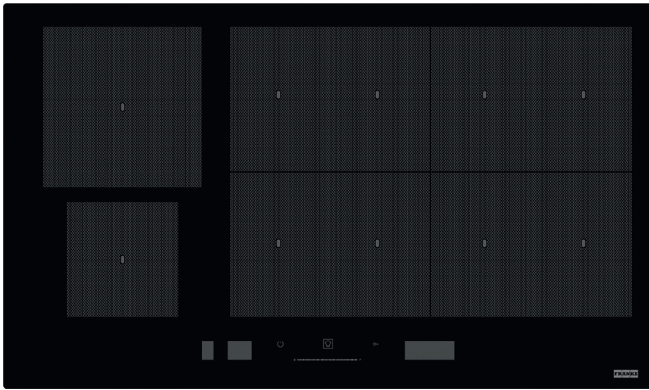


90CM INDUCTION COOKTOP

FMY 906 | FP BK



FEATURES & BENEFITS



Induction Technology



Touch Controls



Child Lock



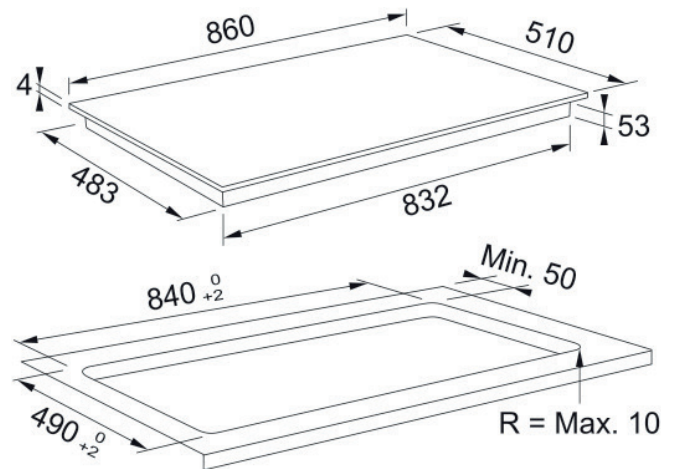
Residual Heat Indicator



Framless Edge Profile

PRODUCT INFORMATION

Overall Dimensions (mm)	860(W) x 510(D) x 57(H)
Cut-Out Dimensions (mm)	840(W) x 490(D)
Number of Heating Zones	10 - 8 being Flexi Full
Power	220-240V 50-60Hz, 11000W Max
Control Interface	Touch LCD - Test Assisted Display, slider
Timer	Individual time for individual zones
Cook Assist	Yes
Child Lock	Yes
Pan Sensor	Yes
Boost	18 + Booster
Functions	Residual Heat Indicator
Edge Profile	Frameless
Finish	Black Glass
Warranty	5 Years



*Min 50mm between the cooktop and the wall or sides

PLEASE NOTE: Technical and product specifications may change; therefore, cut-outs for appliances should only be by physical product measurements. The above information is indicative only.

LAST UPDATED: 12 SEPTEMBER 2023

FRANKE