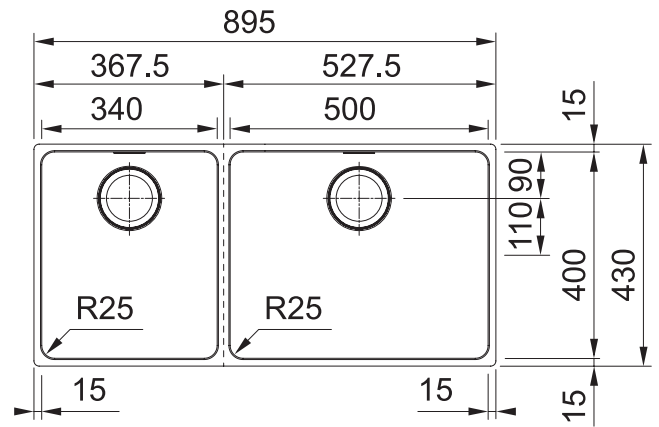


MYTHOS

MYX220-50/34FPCSBL



NOTE: May require purchase of an additional waste kit.



PRODUCT INFORMATION

Installation	Topmount/Flushmount/Undermount
Dimensions	895 x 430mm
Cabinet Base	1000mm
Bowl Size	500 x 400 x 200mm/40L 340 x 400 x 200mm/27L
Bowl Radius	25mm
Cut-Out Size	Template
Cut-Out Template	Yes (refer to attachment)
Waste Outlet	Semi Integrated Waste
Overflow	Yes
Tap Holes	No
Remote Waste	Yes (35mm hole required in benchtop)
Finish	Stainless Steel
Warranty	50 Years

NOTE: Cut-out dimensions are a guide only, please use the actual sink as your template.

FEATURES & BENEFITS



Food Preparation Centre



18/10 Stainless Steel



Push Button Remote Waste



Hidden Overflow

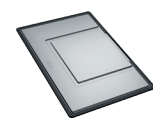


Sound Deadening Pads

ALL-IN ACCESSORIES (AVAILABLE)

PACK 1					
	Telescopic Bridge	Chopping Board	Small Strainer Bowl	Small Storage Box	Bamboo Lid
PACK 2	All Accessories Included In Pack 1				
			Silicon Drainer Mat		
PACK 3	All Accessories Included In Pack 2				
			Large Strainer Bowl	Storage Container	

ADDITIONAL ACCESSORIES



DT288
Extension Drainer



RM081
Rollamat



CBP082
Chopping Board

— Included Accessory
- - - Available Accessory

BARE SINK OPTION AND SOME SINK & TAP PACKAGES DO NOT INCLUDE ACCESSORIES. PLEASE CHAT TO YOUR SALES CONSULTANT FOR FURTHER INFORMATION.

LAST UPDATED: 01 JUNE 2022

