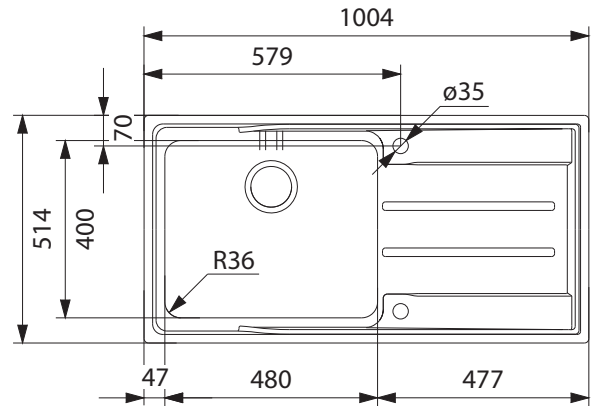


ATON

ANX211RHD



NOTE: May require purchase of an additional waste kit.

PRODUCT INFORMATION

Installation	Topmount/Flushmount
Dimensions	1004 x 514mm
Cabinet Base	600mm
Bowl Size	480 x 400 x 190mm/36L
Bowl Radius	36mm
Cut-Out Size	Topmount: 995 x 506mm, cr=20 Flushmount: utilise DXF file
Cut-Out Template	Yes
Waste Outlet	Semi Integrated Waste
Overflow	Yes
Tap Holes	ø35mm
Remote Waste	Yes
Finish	Stainless Steel
Warranty	50 Years

NOTE: Cut-out dimensions are a guide only, please use the actual sink as your template.

FEATURES & BENEFITS



Food Preparation Centre



18/10 Stainless Steel



Push Button Remote Waste



Hidden Overflow



Sound Deadening Pads

ALL-IN ACCESSORIES (AVAILABLE)

PACK 1					
PACK 2	All Accessories Included In Pack 1				
PACK 3	All Accessories Included In Pack 2				

ADDITIONAL ACCESSORIES

— Included Accessory
- - - Available Accessory



DT651
Extension Drainer



DB448
Drainer Basket

BARE SINK OPTION AND SOME SINK & TAP PACKAGES DO NOT INCLUDE ACCESSORIES. PLEASE CHAT TO YOUR SALES CONSULTANT FOR FURTHER INFORMATION.

LAST UPDATED: 01 JUNE 2022

FRANKE